

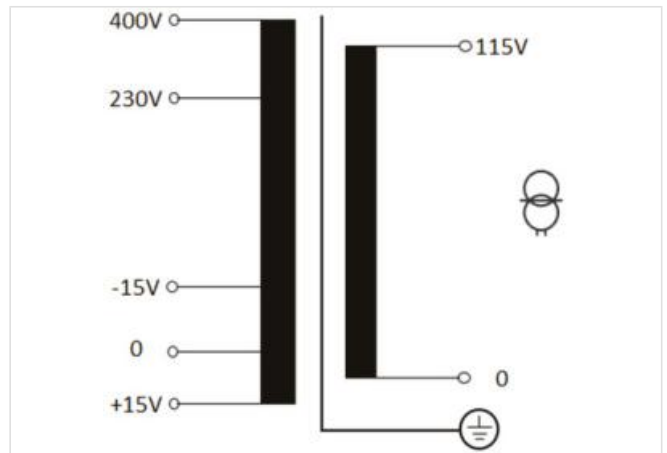
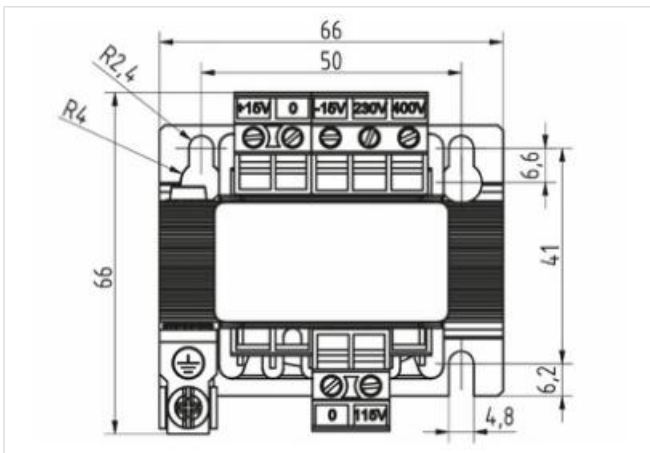
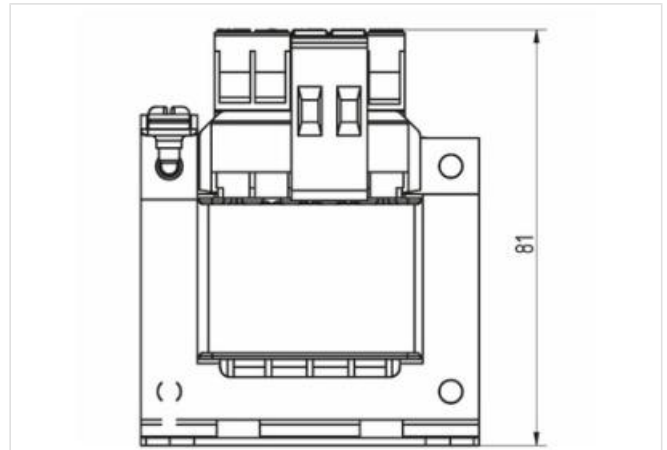
MET 1-Phase control and isolating transformer

P: 25VA IN: 230-400VAC +/- 15VAC OUT: 115VAC

The MET series comprises single-phase control transformers/isolating transformers of the protection class I and protection degree IP00 with double insulation between the primary and secondary windings for general use in industrial applications.

[Link til artikel](#)

Billede



Produktet kan afvige fra billedet



Electrical data | Supply

Power frequency 50/60 Hz

Electrical data | Input

Input voltage 1 AC	230 V
Input voltage 2 AC	400 V
Input current at input voltage 1 AC	0,15 A
Input current at input voltage 2 AC	0,09 A

Inrush current at input voltage 1	2 A
Inrush current at input voltage 2	1,2 A
Short-circuit current at input voltage 1	1,1 A
Short-circuit current at input voltage 2	0,6 A

Electrical data | Output

Output voltage AC	115 V
-------------------	-------

Mechanical data | Mounting data

Mounting method	screwed
Suitable for mounting type	Schlüssellochauhängung
Mounting dimension a	41 mm
Mounting dimension b	50 mm
Mounting dimension c	2,4 mm
Height	66 mm
Width	66 mm
Depth	81 mm
Diameter bore	2,4 mm
Length bore	6,6 mm

Environmental characteristics | Climatic

Ambient temperature min.	-20 °C
Ambient temperature max.	50 °C
Storage temperature min.	-30 °C
Storage temperature max.	80 °C

Conformity

Product standard	EN 61558-1, EN 61558-2-4, EN 62041
EMC	2014/30/EU

Commercial data

customs tariff number	85043180
GTIN	4065909079232
Pakke-enhed	1