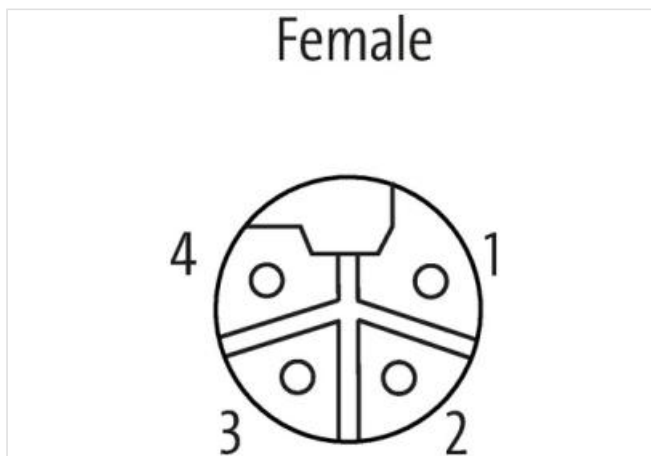
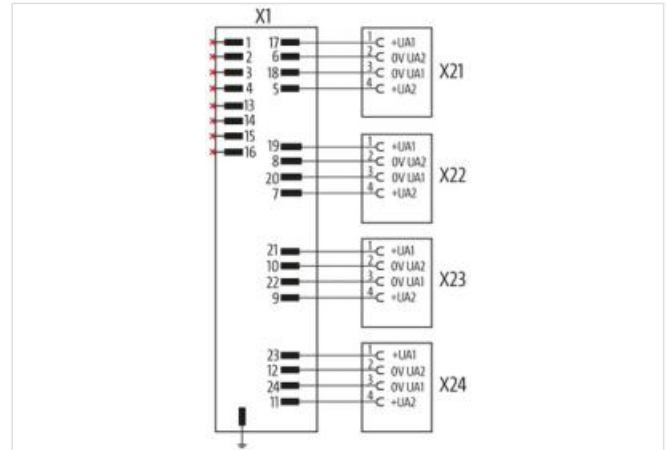


Power Distributor 4x M12 L-cod. 4-pol.

Passive power distributor in zinc die-cast housing
Industrial connector 24-pin + PE to 4x M12 L 4P female
B24 with locking on both sides

[Link to Product](#)

Illustration



Product may differ from Image



Commercial data

ECLASS-6.0	27279219
customs tariff number	85366990
GTIN	4065909038086
Packaging unit	1

Electrical data | Supply

Operating voltage AC	48 V
Operating voltage DC	48 V
Current operating per contact max.	16 A

Device protection | Electrical

Degree of protection (EN IEC 60529)	IP65
Additional condition protection degree	inserted, locked

Mechanical data | Material data

Coating housing	powder-coated
Material housing	Aluminum die casting

Mechanical data | Mounting data

Height	94 mm
Width	61 mm
Depth	149 mm
Looking techniques	2-hand fixing (2 clamps)

Environmental characteristics | Climatic

Operating temperature min.	-25 °C
Operating temperature max.	70 °C
Storage temperature min.	-25 °C
Storage temperature max.	85 °C