

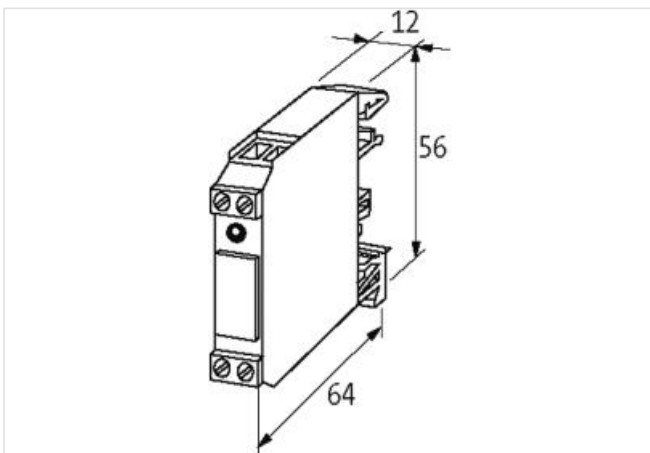
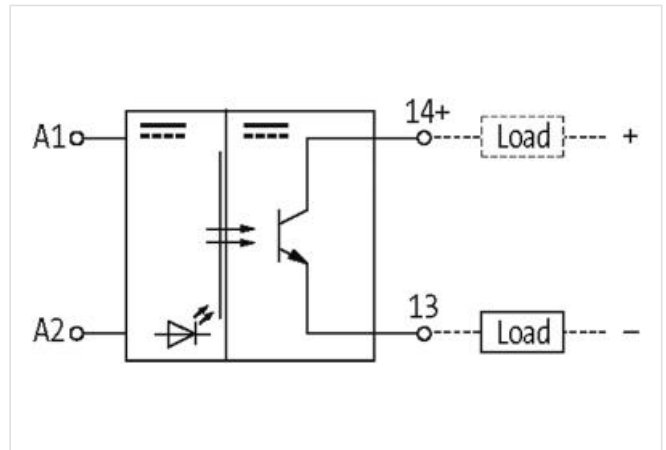
AMMS 10-44/1 OPTO-COUPLER MODULE

IN: 53 VDC - OUT: 45 VDC / 1,2 A

Transistor 1.2 A
10...30 V DC

[Link til artikel](#)

Billede



Produktet kan afvige fra billedet



Commercial data

ECLASS-6.0	27371604
ECLASS-6.1	27371604
ECLASS-7.0	27371604
ECLASS-8.0	27371604
ECLASS-9.0	27371604
ECLASS-10.1	27371604
ECLASS-11.1	27371604
ECLASS-12.0	27371604

Oplysningerne i dette datablad er udarbejdet med størst mulig omhu.

Liability for the correctness completeness and topicality of the information is restricted to gross negligence. Version: 25.06.2024

Murrelektronik ApS | Alexander Foss Gade 13, 1. | 9000 Aalborg | Fon +45 96 35 06 06 | Fax | shop@murrelektronik.dk | shop.murrelektronik.dk

ETIM-5.0	EC001504
customs tariff number	85414900
GTIN	4048879025041
Pakke-enhed	1
Electrical data Input	
Input voltage OFF DC min.	0 V
Input voltage OFF DC max.	3 V
Input voltage DC min.	10 V
Input voltage DC max.	30 V
Input current max.	8 mA
Electrical data Output	
Switch off delay max.	65 µs
Quiescent current OFF max.	0,3 mA
Switching frequency ohmic max.	500 Hz
Voltage switching DC min.	4,5 V
Switching voltage DC max.	30 V
Switching current min.	1 mA
Switching current max.	1,2 A
Voltage drop DC max.	1,2 V
Diagnostics	
Status indication LED	red
Device protection Electrical	
Rated insulation voltage	3750 V
Device protection Media	
Flame resistance	flame retardant
Mechanical data Material data	
Color housing	black
Material housing	Plastic
Mechanical data Mounting data	
Mounting method	geschnappt
Suitable for mounting type	mounting rail, (EN 60715)
Environmental characteristics Climatic	
Operating temperature min.	-20 °C
Operating temperature max.	60 °C
Connection type 2	
Connection type 1	Input
Connection type 2	Output
Connection	Screw terminals SK
Family construction form	terminal
Gender	female
No. of poles	2
PIN 1	A 1
PIN 2	A 2
Connection	Screw terminals SK
Family construction form	terminal
Gender	female
No. of poles	2
PIN 1	13
PIN 2	+ 14