

Cube67 Valve-Interface, Compact Module

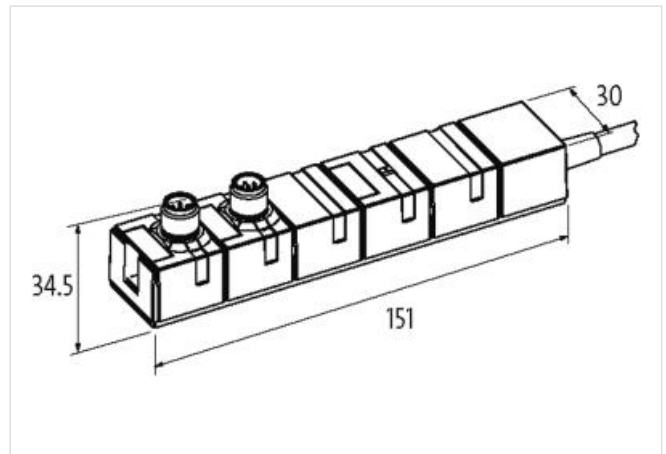
DO8, Festo CPV (9), Sub-D 9 pol., 0,6m, safety outputs (K3)

Compact module - Safety
DO8 - Valve (C) 0.5 m (K3)
Multipole plug (0.5 A)
FESTO - CPV (SUB-D9)

Connection cables are in the online shop under "Connection Technology".
Housing fully potted.

[Link to Product](#)

Illustration



Product may differ from Image



Commercial data

ECLASS-6.0	27242604
ECLASS-6.1	27242604
ECLASS-7.0	27242604
ECLASS-8.0	27242604
ECLASS-9.0	27242604
ECLASS-10.1	27242604
ECLASS-11.1	27242604
ECLASS-12.0	27242604
ETIM-5.0	EC001599
customs tariff number	85389099
GTIN	4048879324618
Packaging unit	1

Electrical data | Supply

Norm operating voltage	EN 61131-2
Operating voltage UA DC	24 V
Current consumption max.	50 mA
Total current UA max.	4 A
Total current US max.	4 A

Electrical data | Output

The information in this Product-PDF has been compiled with the utmost care.

Liability for the correctness completeness and topicality of the information is restricted to gross negligence. Version: 2024-06-26

Murrelektronik ApS | Alexander Foss Gade 13, 1. | 9000 Aalborg | Fon +45 96 35 06 06 | Fax | shop@murrelektronik.dk | shop.murrelektronik.dk

Overload resistant	yes
Short-circuit protected	yes
Output current per pin max.	0,5 A

Diagnostics

Actuator warning	per channel via BUS
Diagnostic	No voltage, Under voltage
Diagnostic via BUS	per module and channel
Diagnostic via LED	per module
Short circuit diagnosis	yes
LED display	Ethernet connection/data traffic
Overload diagnosis	yes

Device protection | Electrical

Degree of protection (EN IEC 60529)	IP67
-------------------------------------	------

Mechanical data | Mounting data

Suitable for mounting type	2-hole screw mounting
Height	150 mm
Width	30 mm
Depth	34,5 mm

Environmental characteristics | Climatic

Operating temperature min.	0 °C
Operating temperature max.	55 °C
Storage temperature min.	-20 °C
Storage temperature max.	70 °C

Connection type 3

Connection type 1	Bus In
Connection type 2	Data
Connection type 3	Power In
Family construction form	M12
Gender	male
Color contact carrier	black
Coding	A
No. of poles	6
PIN 1	24 V DC (UA)
PIN 2	24 V DC (US)
PIN 3	0 V
PIN 4	Bus internal
PIN 5	Bus internal
PIN 6	0 V
Family construction form	D-Sub
Gender	male
No. of poles	9
PIN 1	Out 1
PIN 2	Out 2
PIN 3	Out 3
PIN 4	Out 4
PIN 5	Out 5
PIN 6	Out 10
PIN 7	Out 13
PIN 8	Out 14
PIN 9	0 V
Family construction form	M12
Gender	male

Color contact carrier	black
Coding	A
No. of poles	6
PIN 1	24 V DC (UA 1)
PIN 2	24 V DC (UA 2)
PIN 3	0 V
PIN 4	24 V DC (UA 3)
PIN 5	24 V DC (UA 4)
PIN 6	0 V