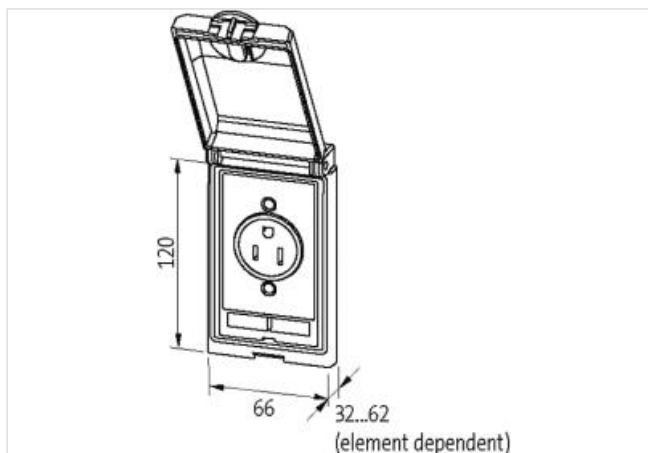


Modlink MSDD-set: Frame 4000-68113-0000000,

insert 4000-68000-8910000

For self-installation of connectors or switches, available space 34×58 mm, indentation 13 mm

[Link til artikel](#)**Billede**

Produktet kan afvige fra billedet

**Commercial data**

ECLASS-6.0	27189217
ECLASS-6.1	27189217
ECLASS-7.0	27189217
ECLASS-8.0	27189217
ECLASS-9.0	27189217
ECLASS-10.1	27182806
ECLASS-11.1	27182806
ECLASS-12.0	27182806

ETIM-5.0	EC002625
customs tariff number	85389099
GTIN	4048879035972
Pakke-enhed	1

Device protection

Shielded	no
----------	----