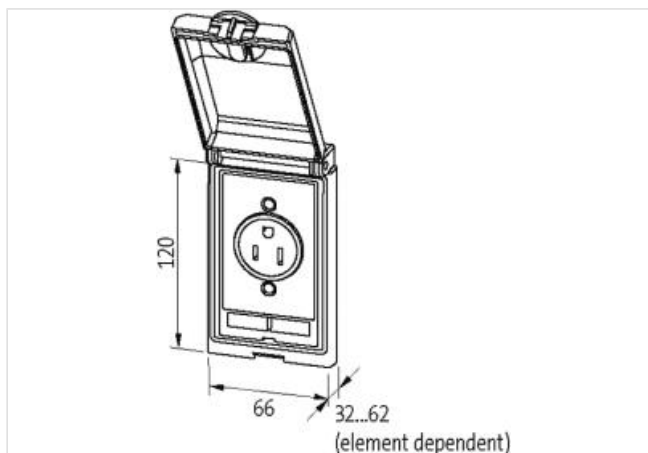


**Modlink MSDD-set: Frame 4000-68213-0000000,**

insert 4000-68000-0230000

[Link til artikel](#)**Billede**

Produktet kan afvige fra billedet

**Commercial data**

|             |          |
|-------------|----------|
| ECLASS-6.0  | 27189217 |
| ECLASS-6.1  | 27189217 |
| ECLASS-7.0  | 27189217 |
| ECLASS-8.0  | 27189217 |
| ECLASS-9.0  | 27189217 |
| ECLASS-10.1 | 27182806 |
| ECLASS-11.1 | 27182806 |
| ECLASS-12.0 | 27182806 |

|                       |               |
|-----------------------|---------------|
| ETIM-5.0              | EC002625      |
| customs tariff number | 85389099      |
| GTIN                  | 4048879033480 |
| Pakke-enhed           | 1             |

**Frame**

|                                               |                       |
|-----------------------------------------------|-----------------------|
| Degree of protection (EN IEC 60529)           | IP65                  |
| Operating temperature min.                    | -10 °C                |
| Operating temperature max.                    | 60 °C                 |
| Storage temperature min.                      | -25 °C                |
| Storage temperature max.                      | 60 °C                 |
| Suitable for installation wall thickness min. | 1 mm                  |
| Suitable for installation wall thickness max. | 5 mm                  |
| Coating housing                               | surface finished      |
| Color cover                                   | transparent           |
| Material lid                                  | PC                    |
| Material housing                              | Fine zinc die casting |

**SUB-D9**

|                                       |                                                |
|---------------------------------------|------------------------------------------------|
| Operating voltage AC                  | 48 V                                           |
| Operating voltage DC                  | 48 V                                           |
| Operating voltage AC max. (UL-listed) | 30 V                                           |
| Operating voltage DC max. (UL-listed) | 42,4 V                                         |
| Operating current                     | 3 A                                            |
| Current operating max. (UL)           | 175 mA                                         |
| Family construction form              | SUB-D9                                         |
| Family type Back side                 | SUB-D9                                         |
| Gender                                | female                                         |
| Gender Rear                           | Lötanschluss                                   |
| Looking techniques                    | Standard UNC 4-40 screw thread bolt (EN 60807) |
| No. of poles                          | 9                                              |