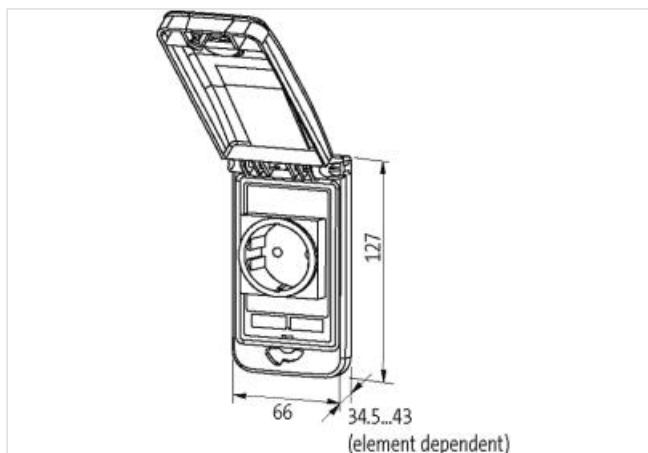


Modlink MSDD set contains:Frame 4000-68514-0000001

Insert 4000-68000-3220000

### [Link til artikel](#)

#### Billede



Produktet kan afvige fra billedet



#### Commercial data

ECLASS-6.1	27189217
ECLASS-7.0	27189217
ECLASS-8.0	27189217
ECLASS-9.0	27189217
ECLASS-10.1	27182806
ECLASS-11.1	27182806
ECLASS-12.0	27182806
customs tariff number	85366990

GTIN 4065909009093

Pakke-enhed

1

**Frame**

Degree of protection (EN IEC 60529)

IP65

Operating temperature min.

-30 °C

Operating temperature max.

70 °C

Storage temperature min.

-30 °C

Storage temperature max.

80 °C

Suitable for installation wall thickness min.

1 mm

Suitable for installation wall thickness max.

5 mm

Color cover

gray

Color housing

black

Material lid

PBT

Material housing

PA

**USA**

Connection cross section max.

6 mm<sup>2</sup>

AWG number max.

10

Operating voltage AC

125 V

Operating current

15 A

Connection

Screw terminals SK

No. of poles

2 + PE

Connections per pole

2

Protection contact present

yes