

**M12 female 90° A-cod. with cable**

PUR 2x0.5 gy UL/CSA+drag ch. 2.5m

Cube67

Female 90°

M12, 2-pole

A-coded

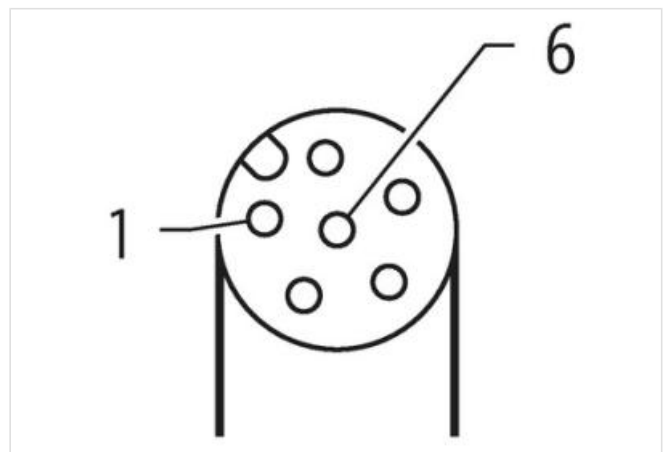
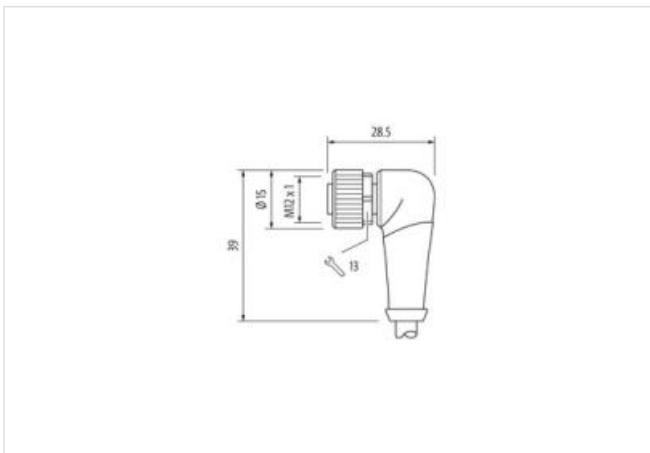
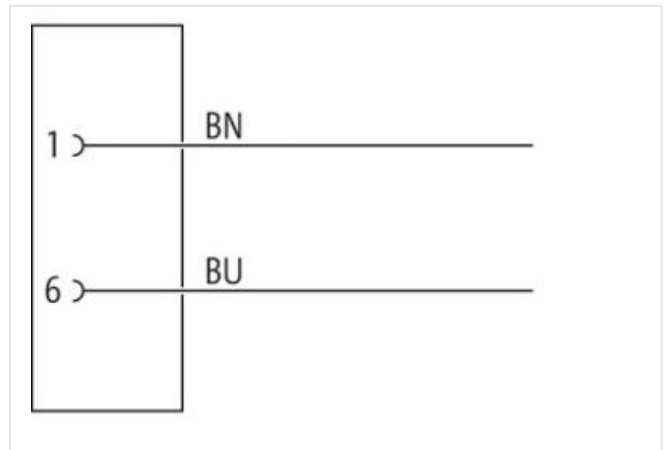
Actuator supply external

Art-No. 7005 - M12 Lite - (plastic hexagonal screw) on request

Further cable lengths on request.

Plastic housings with good resistance against chemicals and oils.

The resistance to aggressive media should be individually tested for your application. Further details on request.

**[Link to Product](#)****Illustration**

Product may differ from Image



Cable length

2,5 m

Side 1	
Tightening torque	0,6 Nm
Mounting method	inserted, screwed
Coating contact	gold plated
Family construction form	M12
Thread	M12 x 1
suitable for corrugated tube (internal Ø)	10 mm
Coding	A
Material contact	Copper alloy
Material	PUR
No. of poles	2
Width across flats	SW13
Degree of protection (EN IEC 60529)	IP65, IP66K, IP67
Side 2	
Stripping length (jacket)	20 mm
Coating contact	gold plated
Family construction form	free cable end
Commercial data	
ECLASS-6.0	27279218
ECLASS-6.1	27279218
ECLASS-7.0	27279218
ECLASS-8.0	27279218
ECLASS-9.0	27060311
ECLASS-10.1	27060311
ECLASS-11.1	27060311
ECLASS-12.0	27060311
ETIM-5.0	EC001855
customs tariff number	85444290
GTIN	4048879419093
Packaging unit	1
Electrical data   Supply	
Operating voltage AC max.	30 V
Operating voltage DC max.	30 V
Operating voltage AC (UL-listed)	30 V
Operating voltage DC (UL-listed)	30 V
Current operating per contact max.	4 A
Diagnostics	
Status indication LED	no
Installation   Connection	
Stripping length (jacket)	20 mm
Mounting set	M12 x 1
Device protection   Electrical	
Additional condition protection degree	inserted, screwed
Pollution Degree	3
Rated surge voltage	0,8 kV
Material group (IEC 60664-1)	I
Mechanical data   Material data	
Coating locking	Nickeled
Coating of fitting	nickel plated
Material gasket	FKM
Locking material	Zinc die-casting

Material screw connection                      Zinc die-casting

#### Mechanical data | Mounting data

Mounting method                                      inserted, screwed, Shaking protection

#### Environmental characteristics | Climatic

Operating temperature min.                      -25 °C

Operating temperature max.                      85 °C

Additional condition temperature range                      depending on cable quality

#### Important installation notes

Note on strain relief                                      Protect the connectors by suitable measures from mechanical loads, e.g. by the usage of cable ties.

Note on bending radius                                      **Attention:** Observe the permissible bending radii when laying cables, as the IP protection class can be endangered by excessive bending forces.

#### Conformity

Product standard                                      DIN EN 61076-2-101 (M12)

#### Installation | Cable

wire arrangement                                      brown, blue

Cable identification                                      414

Cable Type    3

Jacket Color    gray

Type of Certificate                                      cURus

Amount stranding                                      1

Stranding    2 wires twisted

wire arrangement                                      brown, blue

Cable weight    30,8 g/m

Material jacket    PUR

Shore hardness jacket                                      90 ± 5 Shore A

Freedom from ingredients (jacket)                      lead-free, cadmium-free, CFC-free, halogen-free, silicone-free

Outer-diameter (jacket)                                      4,4 mm

Tolerance outer diameter (sheath)                      ± 5 %

Material wire insulation                                      PP

Amount wires    2

Outer diameter insulation                                      1,4 mm

Outer diameter tolerance core insulation                      ± 5 %

Shore hardness wire insulation                                      70 ± 5 Shore D

Ingredient freeness wire insulation                      lead-free, cadmium-free, CFC-free, halogen-free, silicone-free

Amount strands (wire)                                      28

Diameter of single wires                                      0,15 mm

Conductor crosssection (wire)                                      0,5 mm<sup>2</sup>

Material conductor wire                                      Stranded copper wire, bare

Conductor type (wire)                                      strand class 6

Nominal voltage AC max.                                      300 V

Current load capacity (standard)                                      to DIN VDE 0298-4

Current load capacity min. wire                                      9 A

Electrical resistance line constant wire                      39 Ω/km @ 20 °C

AC withstand voltage (wire - wire)                      2,5 kV @ 60 s

Power frequency withstand voltage (wire - jacket)                      2,5 kV @ 60 s

Min. operating temperature (static)                      -40 °C

Max. operating temperature (fixed)                      80 °C / 90 °C @ 10000 h Operation

Operating temperature min. (dynamic)                      -25 °C

Operating temperature max. (dynamic)                      80 °C / 90 °C @ 10000 h Operation

Flame resistance    UL 1581 § 1100 FT2 | UL 1581 § 1090 | IEC 60332-2-2

chemical resistance    Good, application-related testing

Gasoline resistance	Good, application-related testing
Oil resistance	Good, application-related testing   DIN EN 60811-404
Bending radius (fixed)	5 x Outer diameter
Bending radius (dynamic)	10 x Outer diameter
No. of bending cycles (C-track)	10 Mio. @ 25 °C
Traversing distance (C-track)	10 m @ 25 °C   horizontal
Travel speed (C-track)	3 m/s @ 25 °C
No. of torsion cycles	2 Mio.
Torsion stress	± 180 °/m
Torsion speed	35 cycles/min