

### MSUD valve plug A-18mm with cable

PUR 4x0.75 gy UL/CSA 30m

MSUD

Form A (18 mm)

0...230 V AC/DC

without components

4-pole

PE at cable entry (180°)

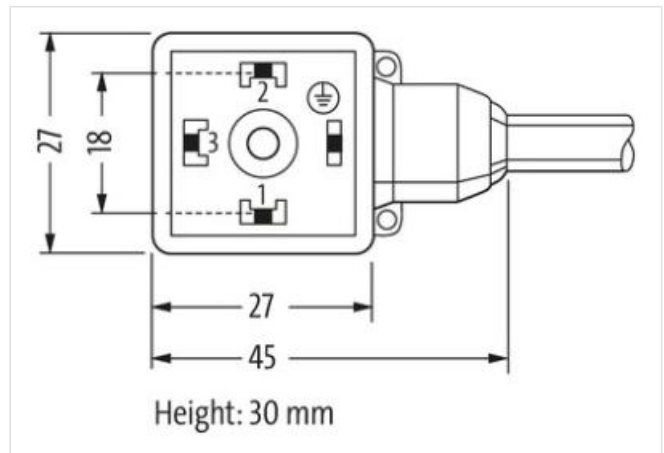
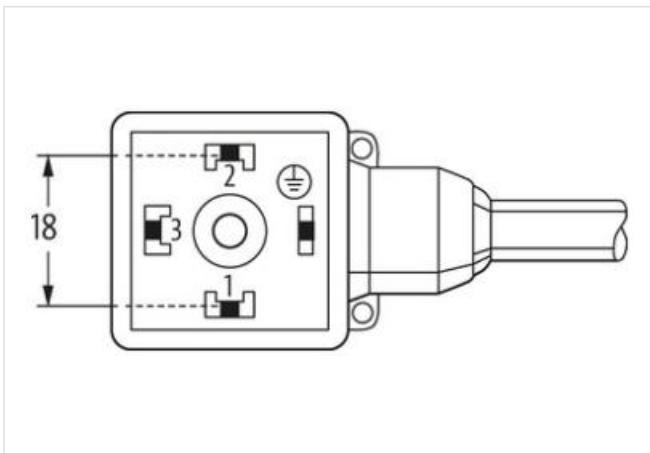
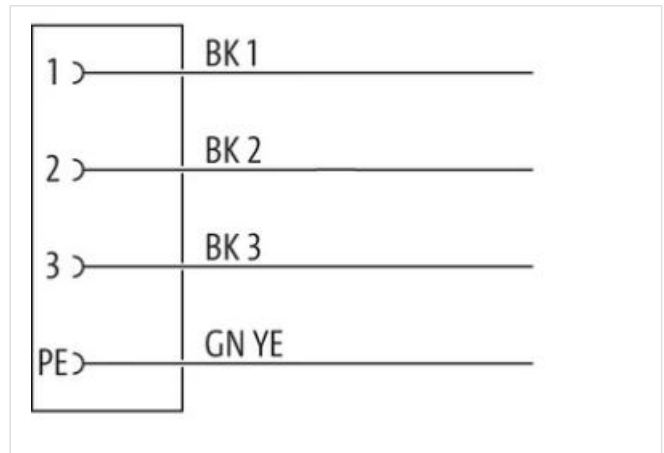
Further cable lengths on request.

Plastic housings with good resistance against chemicals and oils.

The resistance to aggressive media should be individually tested for your application. Further details on request.

### [Link to Product](#)

#### Illustration





Product may differ from Image



Cable length 30 m

**Side 1**

|                                     |                   |
|-------------------------------------|-------------------|
| Tightening torque                   | 0,4 Nm            |
| Mounting method                     | inserted, screwed |
| Family construction form            | MSUD A            |
| Thread                              | M3                |
| Material                            | PBT               |
| Degree of protection (EN IEC 60529) | IP67              |

**Commercial data**

|                       |               |
|-----------------------|---------------|
| ECLASS-6.0            | 27279218      |
| ECLASS-6.1            | 27279218      |
| ECLASS-7.0            | 27279218      |
| ECLASS-8.0            | 27279218      |
| ECLASS-9.0            | 27060312      |
| ECLASS-10.1           | 27060312      |
| ECLASS-11.1           | 27060312      |
| ECLASS-12.0           | 27060312      |
| ETIM-5.0              | EC001855      |
| customs tariff number | 85444290      |
| GTIN                  | 4048879785945 |
| Packaging unit        | 1             |

**Electrical data | Supply**

|                                    |       |
|------------------------------------|-------|
| Operating voltage AC max.          | 230 V |
| Operating voltage DC max.          | 230 V |
| Current operating per contact max. | 10 A  |

**Installation | Connection**

|              |    |
|--------------|----|
| Mounting set | M3 |
|--------------|----|

**Device protection | Electrical**

|                              |      |
|------------------------------|------|
| Pollution Degree             | 3    |
| Rated surge voltage          | 4 kV |
| Material group (IEC 60664-1) | I    |

| Mechanical data   Material data          |   |
|--|---|
| Coating locking                          | verzinkt  |
| Coating of fitting                       | verzinkt  |
| Color housing                            | black   |
| Material gasket                          | PUR   |
| Locking material                         | Steel   |
| Material screw connection                | Steel   |
| Mechanical data   Mounting data          |   |
| Mounting method                          | inserted, screwed   |
| Environmental characteristics   Climatic |   |
| Operating temperature min.               | -25 °C  |
| Operating temperature max.               | 85 °C   |
| Additional condition temperature range   | depending on cable quality  |
| Important installation notes             |   |
| Note on strain relief                    | Protect the connectors by suitable measures from mechanical loads, e.g. by the usage of cable ties.   |
| Note on bending radius                   | <b>Attention:</b> Observe the permissible bending radii when laying cables, as the IP protection class can be endangered by excessive bending forces. |
| Installation   Cable                     |   |
| wire arrangement                         | black 1, black 2, black 3, green-yellow   |
| Cable identification                     | 227   |
| Cable Type                               | 2   |
| Printing color of wire insulation        | white (isolation black)   |
| Jacket Color                             | gray  |
| Type of Certificate                      | cURus   |
| Amount stranding                         | 1   |
| Stranding                                | 4 wires twisted   |
| wire arrangement                         | black 1, black 2, black 3, green-yellow   |
| Cable weight                             | 74,8 g/m  |
| Material jacket                          | PUR   |
| Shore hardness jacket                    | 85 ± 5 Shore A  |
| Freedom from ingredients (jacket)        | lead-free, cadmium-free, CFC-free, silicone-free  |
| Outer-diameter (jacket)                  | 7 mm  |
| Tolerance outer diameter (sheath)        | ± 5 %   |
| Material inner jacket                    | PVC   |
| Color (inner jacket)                     | yellow  |
| Material wire insulation                 | PVC   |
| Amount wires                             | 4   |
| Outer diameter insulation                | 1,8 mm  |
| Outer diameter tolerance core insulation | ± 5 %   |
| Shore hardness wire insulation           | 43 ± 5 Shore D  |
| Ingredient freeness wire insulation      | lead-free, cadmium-free, CFC-free, silicone-free  |
| Printing color of wire insulation        | white (isolation black)   |
| Amount strands (wire)                    | 42  |
| Diameter of single wires                 | 0,15 mm   |
| Conductor crosssection (wire)            | 0,75 mm <sup>2</sup>  |
| Material conductor wire                  | Stranded copper wire, bare  |
| Conductor type (wire)                    | strand class 6  |
| Electrical function wire                 | Signal  |
| Nominal voltage AC max.                  | 300 V   |
| Current load capacity (standard)         | to DIN VDE 0298-4   |
| Current load capacity min. wire          | 9,6 A   |
| Electrical function wire                 | Signal  |
| Electrical resistance line constant wire | 26 Ω/km @ 20 °C   |

The information in this Product-PDF has been compiled with the utmost care.

Liability for the correctness completeness and topicality of the information is restricted to gross negligence. Version: 2024-06-22

Murrelektronik ApS | Alexander Foss Gade 13, 1. | 9000 Aalborg | Fon +45 96 35 06 06 | Fax | shop@murrelektronik.dk | shop.murrelektronik.dk

|                                      |                                   |
|--------------------------------------|-----------------------------------|
| Min. operating temperature (static)  | -30 °C                            |
| Max. operating temperature (fixed)   | 80 °C                             |
| Operating temperature min. (dynamic) | -5 °C                             |
| Operating temperature max. (dynamic) | 80 °C                             |
| chemical resistance                  | Good, application-related testing |
| Gasoline resistance                  | Good, application-related testing |
| Oil resistance                       | DIN EN 60811-404                  |
| Bending radius (fixed)               | 10 x Outer diameter               |
| Bending radius (dynamic)             | 15 x Outer diameter               |
| No. of bending cycles (C-track)      | 2 Mio. @ 25 °C                    |
| Traversing distance (C-track)        | 5 m @ 25 °C   horizontal          |
| Travel speed (C-track)               | 3,3 m/s @ 25 °C                   |