

**M12 male 90° / M12 female 90° A-cod. LED**

PUR 4x0.34 ye UL/CSA 1.5m

**⚠ NOTICE ⚠****PRODUCT IS DISCONTINUED. PLEASE HAVE A LOOK AT THE ALTERNATIVE PRODUCTS.**

Male 90° – female 90°

M12 – M12, 4-pole

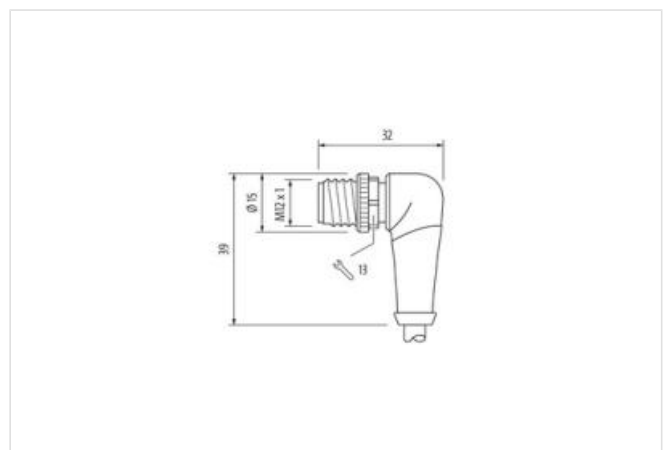
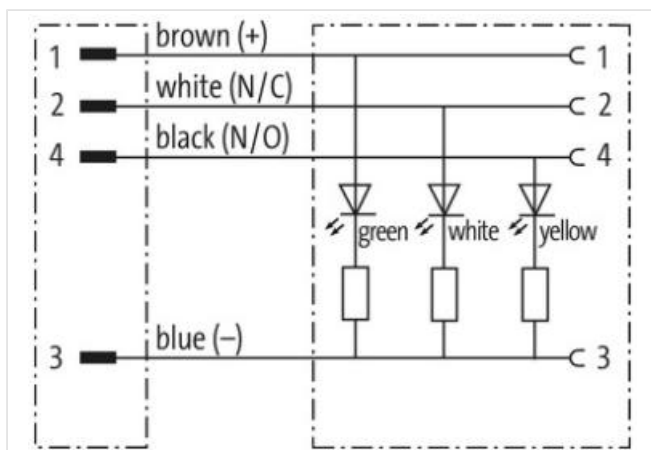
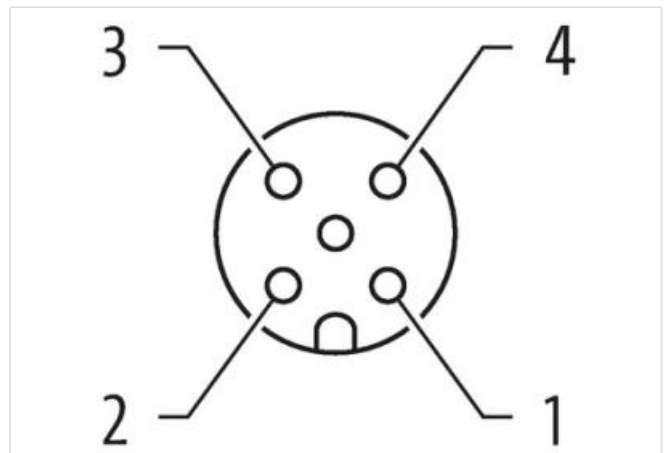
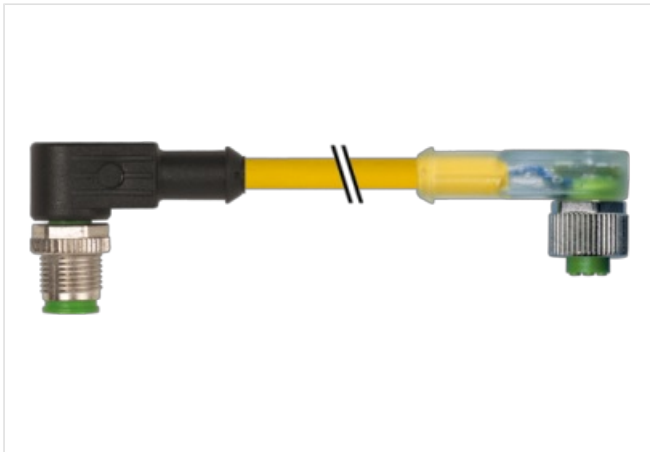
3× LED (PNP), (NPN) on request

Art-No. 7005 - M12 Lite - (plastic hexagonal screw) on request

Plastic housings with good resistance against chemicals and oils.

The resistance to aggressive media should be individually tested for your application. Further details on request.

Further cable lengths on request.

**[Link to Product](#)****Illustration**



Product may differ from Image



Cable length 1,5 m

**Side 1**

Tightening torque 0,6 Nm

Mounting method inserted, screwed

Family construction form M12

Thread M12 x 1

suitable for corrugated tube (internal Ø) 10 mm

Coding A

Material PUR

Width across flats SW13

Degree of protection (EN IEC 60529) IP66K, IP67

**Side 2**

Tightening torque 0,6 Nm

Mounting method inserted, screwed

Family construction form M12

Thread M12 x 1

suitable for corrugated tube (internal Ø) 10 mm

Coding A

Material PUR

Width across flats SW13

Degree of protection (EN IEC 60529) IP66K, IP67

**Commercial data**

ECLASS-6.0 27061801

customs tariff number 85444290

Packaging unit 1

**Electrical data | Supply**

Operating voltage DC 24 V

Operating voltage DC min. 18 V

Operating voltage DC max. 30 V

Operating voltage DC max. (UL-listed) 30 V

Current operating per contact max. 4 A

**Installation | Connection**

The information in this Product-PDF has been compiled with the utmost care.

Liability for the correctness completeness and topicality of the information is restricted to gross negligence. Version: 2024-06-23

Murrelektronik ApS | Alexander Foss Gade 13, 1. | 9000 Aalborg | Fon +45 96 35 06 06 | Fax | shop@murrelektronik.dk | shop.murrelektronik.dk

Mounting set M12 x 1

#### Device protection | Electrical

|  |                   |
|--|-------------------|
| Additional condition protection degree | inserted, screwed |
| Pollution Degree                       | 3                 |
| Material group (IEC 60664-1)           | I                 |

#### Mechanical data | Material data

|                           |                  |
|---------------------------|------------------|
| Coating locking           | Nickel           |
| Coating of fitting        | nickel plated    |
| Locking material          | Zinc die-casting |
| Material screw connection | Zinc die-casting |

#### Mechanical data | Mounting data

|                 |                                       |
|-----------------|---------------------------------------|
| Mounting method | inserted, screwed, Shaking protection |
|-----------------|---------------------------------------|

#### Environmental characteristics | Climatic

|  |                            |
|--|----------------------------|
| Operating temperature min.             | -25 °C                     |
| Operating temperature max.             | 85 °C                      |
| Additional condition temperature range | depending on cable quality |

#### Conformity

|                  |                          |
|------------------|--------------------------|
| Product standard | DIN EN 61076-2-101 (M12) |
|------------------|--------------------------|

#### Installation | Cable

|  |  |
|--|--|
| Cable identification                     | 282  |
| Jacket Color                             | blue   |
| Amount stranding                         | 1  |
| Stranding                                | 3 wires twisted  |
| Amount stranding (type 2)                | 1  |
| Stranding (type 2)                       | 9 wires around Stranding combination twisted   |
| Banding                                  | Fleece   |
| wire arrangement                         | gray-pink, violet, red-blue, brown, red, gray, black, yellow, pink, green, white, blue |
| Cable weight                             | 44 g/m   |
| Material jacket                          | TPE-S  |
| Shore hardness jacket                    | 47 ± 5 Shore D   |
| Freedom from ingredients (jacket)        | lead-free, cadmium-free, CFC-free, halogen-free, silicone-free                         |
| Outer-diameter (jacket)                  | 6 mm   |
| Tolerance outer diameter (sheath)        | ± 5 %  |
| Material wire insulation                 | PP   |
| Amount wires                             | 12   |
| Outer diameter insulation                | 1 mm   |
| Outer diameter tolerance core insulation | ± 5 %  |
| Shore hardness wire insulation           | 64 ± 3 Shore D   |
| Ingredient freeness wire insulation      | lead-free, cadmium-free, CFC-free, halogen-free, silicone-free                         |
| Amount strands (wire)                    | 18   |
| Diameter of single wires                 | 0,1 mm   |
| Conductor crosssection (wire)            | 0,14 mm <sup>2</sup>   |
| Material conductor wire                  | Stranded copper wire, bare   |
| Conductor type (wire)                    | strand class 6   |
| Traversing distance (C-track)            | 10 m @ 25 °C   horizontal  |
| Travel speed (C-track)                   | 4 Mio. @ 25 °C   |
| Nominal voltage AC max.                  | 300 V  |
| Current load capacity (standard)         | to DIN VDE 0298-4  |
| Current load capacity min. wire          | 2 A  |
| Electrical resistance line constant wire | 139 Ω/km @ 20 °C   |
| AC withstand voltage (wire - wire)       | 3 kV @ 60 s  |

|                                      |  |
|--------------------------------------|--|
| Min. operating temperature (static)  | -40 °C   |
| Max. operating temperature (fixed)   | 105 °C   |
| Operating temperature min. (dynamic) | -25 °C   |
| Operating temperature max. (dynamic) | 105 °C   |
| Flame resistance                     | IEC 60332-2-2   UL 1581 § 1090   UL 1581 § 1100 FT2  |
| chemical resistance                  | Good, application-related testing                    |
| Gasoline resistance                  | Good, application-related testing                    |
| Oil resistance                       | Good, application-related testing   DIN EN 60811-404 |
| Bending radius (fixed)               | 5 x Outer diameter                                   |
| Bending radius (dynamic)             | 10 x Outer diameter                                  |
| No. of torsion cycles                | 2 Mio.   |
| Torsion stress                       | ± 180 °/m  |
| Torsion speed                        | 35 cycles/min  |