

RJ45 0° / RJ45 0° shielded

PUR 1x4xAWG22 shielded gn UL/CSA+drag ch. 16m

Ethernet CAT5

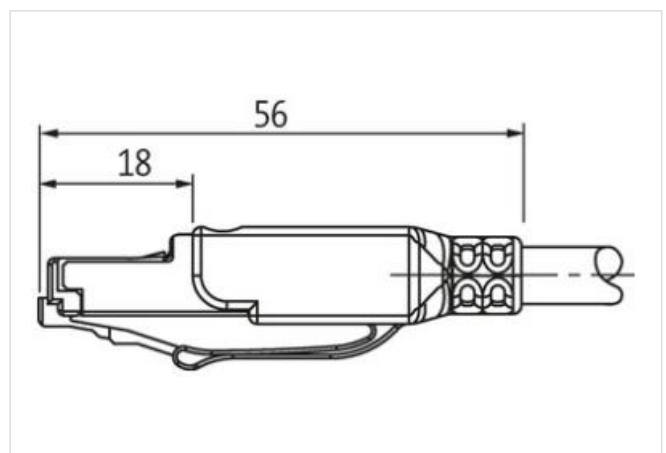
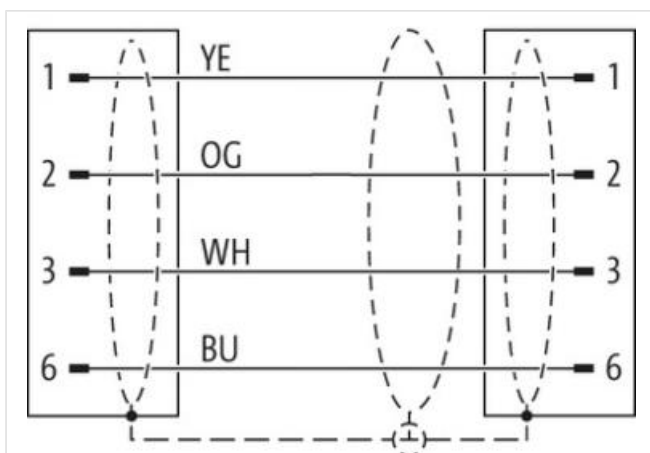
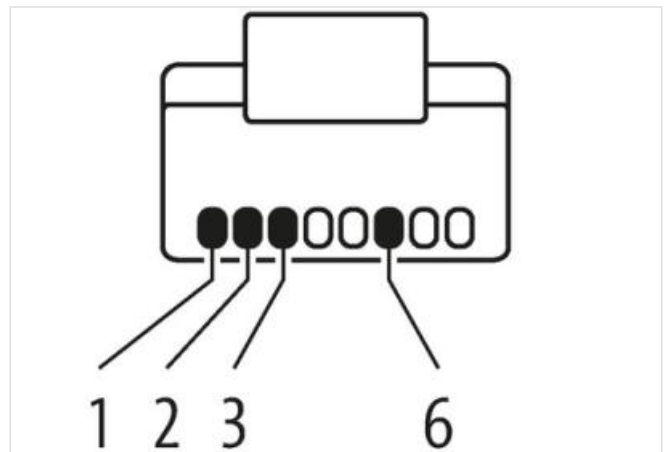
Male straight – male straight

RJ45 – RJ45, 8/4-pole
shielded

Further cable lengths on request.

Plastic housings with good resistance against chemicals and oils.

The resistance to aggressive media should be individually tested for your application. Further details on request.

[Link til artikel](#)**Billede**

Produktet kan afvige fra billedet

Electrical data | Supply

Operating voltage DC max.	60 V
Current operating per contact max.	2 A

Industrial communication

Transfer parameters	CAT5, Class D (ISO/IEC 11801:2002), (EN 50173-1)
Data transmission rate max.	100 MBit/s

Industrial communication | Ethernet functionality

Oplysningerne i dette datablad er udarbejdet med størst mulig omhu.

Liability for the correctness completeness and topicality of the information is restricted to gross negligence. Version: 24.06.2024

Murrelektronik ApS | Alexander Foss Gade 13, 1. | 9000 Aalborg | Fon +45 96 35 06 06 | Fax | shop@murrelektronik.dk | shop.murrelektronik.dk

duplex Full duplex

Device protection | Electrical

Degree of protection (EN IEC 60529) IP20

Environmental characteristics | Climatic

Operating temperature min. -20 °C

Operating temperature max. 60 °C

Additional condition temperature range depending on cable quality

Installation | Cable

Cable identification 796

Jacket Color green

Type of Certificate cURus

Amount stranding 1

Stranding 4 wires around Core filler twisted

Cable shielding (type) copper braid, tinned

Cable shielding (coverage) 85 %

Banding Fleece, Foil

Filler yes

wire arrangement white, yellow, blue, orange

Cable weight 69,3 g/m

Material jacket PUR

Shore hardness jacket 89 Shore A

Freedom from ingredients (jacket) lead-free, cadmium-free, CFC-free, halogen-free, silicone-free

Outer-diameter (jacket) 6,7 mm

Tolerance outer diameter (sheath) $\pm 5\%$

Material inner jacket FRNC

Color (inner jacket) natur

Material wire insulation PE

Amount wires 4

Outer diameter insulation 1,4 mm

Outer diameter tolerance core insulation $\pm 5\%$

Shore hardness wire insulation 65 Shore D

Ingredient freeness wire insulation lead-free, CFC-free, halogen-free

Amount strands (wire) 7

Diameter of single wires 22 AWG

Conductor crosssection (wire) 22 AWG

Material conductor wire Stranded copper wire, bare

Traversing distance (C-track) 5 m @ 25 °C

Travel speed (C-track) 3 Mio. @ 25 °C

Nominal voltage AC max. 300 V

Current load capacity (standard) to DIN VDE 0298-4

Current load capacity min. wire 4,8 A

Characteristic impedance $100 \Omega \pm 15\% @ 100 \text{ MHz}$ Electrical resistance line constant wire $55 \Omega/\text{km} @ 20 \text{ °C}$

AC withstand voltage (wire - wire) 2 kV @ 60 s

Electrical capacity line constant (wire - wire) 50000 pF/km

Power frequency withstand voltage (wire - jacket) 2 kV @ 60 s

AC withstand voltage (wire - shield) 2 kV @ 60 s

Loop resistance 5000 M Ω × km

Min. operating temperature (static) -40 °C

Max. operating temperature (fixed) 80 °C

Operating temperature min. (dynamic) -30 °C

Operating temperature max. (dynamic) 70 °C

Flame resistance	IEC 60332-2-2 UL 1581 § 1090 UL 1581 § 1100 FT2
chemical resistance	Good, application-related testing
Gasoline resistance	Good, application-related testing
Oil resistance	DIN EN 60811-404 Good, application-related testing
Bending radius (fixed)	5 x Outer diameter
Bending radius (dynamic)	12 x Outer diameter
No. of torsion cycles	1 Mio. 25 °C
Torsion stress	± 180 °/m
Commercial data	
customs tariff number	85444210
GTIN	4048879435789
Pakke-enhed	1