

DRIVE CLIQ CABLE

Specification: 6FX5002-2DC10-1AF0

DRIVE-CLiQ signal cable for SINAMICS S120 and motors with DC 24 V wires

Male straight – male straight

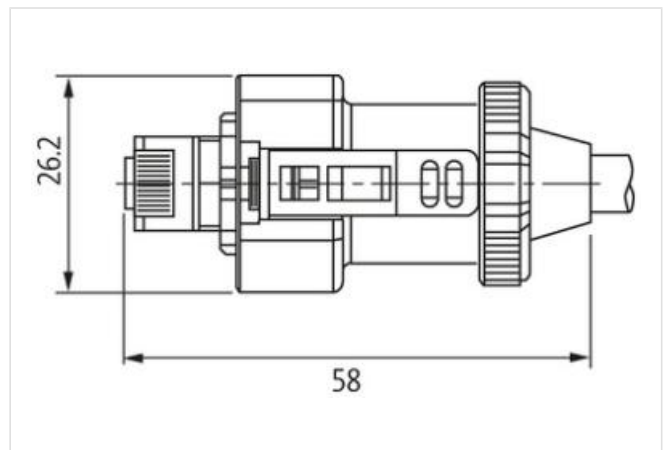
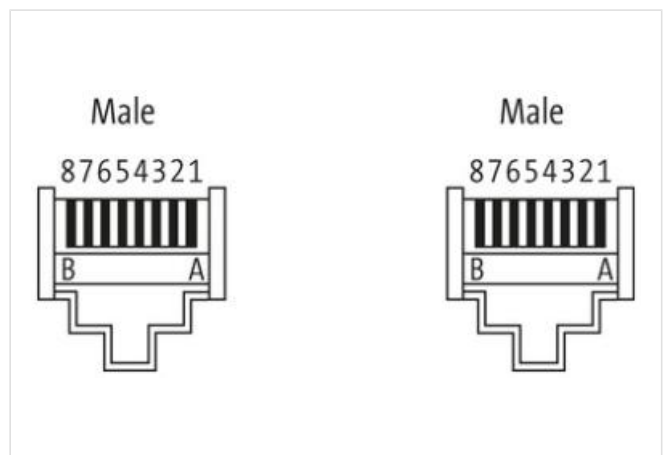
DRIVE-CLiQ IP67 – DRIVE CLiQ IP20

Further cable lengths on request.

The resistance to aggressive media should be individually tested for your application. Further details on request.

[Link to Product](#)

Illustration



Product may differ from Image

Cable length 5 m

Side 1

Mounting method pluggable

Family construction form RJ45

Side 2

Mounting method pluggable

Commercial data

ECLASS-6.0 27061801

| | |
|-----------------------|---------------|
| ECLASS-6.1 | 27060307 |
| ECLASS-7.0 | 27060307 |
| ECLASS-8.0 | 27060307 |
| ECLASS-9.0 | 27060307 |
| ECLASS-10.1 | 27060307 |
| ECLASS-11.1 | 27060307 |
| ECLASS-12.0 | 27060307 |
| ETIM-5.0 | EC000830 |
| customs tariff number | 85444210 |
| GTIN | 4048879536714 |
| Packaging unit | 1 |

Electrical data | Supply

| | |
|---------------------------|--------|
| Operating voltage AC max. | 30 V |
| Operating voltage DC max. | 30 V |
| Operating current max. | 1,76 A |

Device protection | Electrical

| | |
|-------------------------------------|------------|
| Degree of protection (EN IEC 60529) | IP20, IP67 |
| Pollution Degree | 3 |
| Rated surge voltage | 0,5 kV |
| Material group (IEC 60664-1) | II |

Mechanical data | Mounting data

| | |
|--------------------|------------|
| Looking techniques | DRIVE-CLiQ |
|--------------------|------------|

Environmental characteristics | Climatic

| | |
|--|----------------------------|
| Operating temperature min. | -20 °C |
| Operating temperature max. | 80 °C |
| Additional condition temperature range | depending on cable quality |

Important installation notes

| | |
|------------------------|---|
| Note on strain relief | Protect the connectors by suitable measures from mechanical loads, e.g. by the usage of cable ties. |
| Note on bending radius | Attention: Observe the permissible bending radii when laying cables, as the IP protection class can be endangered by excessive bending forces. |

Installation | Cable

| | |
|--|--|
| wire arrangement | (green, yellow), (pink, blue), (red, black) |
| Cable identification | 881 |
| Function cable | Hybrid, Data, Power |
| Jacket Color | green |
| Type of Certificate | cURus |
| Amount stranding | 3 |
| Stranding | 2 wires with Filler twisted |
| Stranding (type 2) | 3 Stranded joints with Filler twisted |
| Cable shielding (type) | copper braid, tinned |
| Cable shielding (coverage) | 85 % |
| Filler | yes |
| wire arrangement | (green, yellow), (pink, blue), (red, black) |
| Material jacket | PVC |
| Freedom from ingredients (jacket) | lead-free, CFC-free, silicone-free |
| Outer-diameter (jacket) | 6,95 mm |
| Tolerance outer diameter (sheath) | ± 5 % |
| Material wire insulation | PE |
| Amount wires | 4 |
| Outer diameter insulation | 1,03 mm |
| Outer diameter tolerance core insulation | ± 5 % |
| Ingredient freeness wire insulation | lead-free, CFC-free, halogen-free, silicone-free |

| | |
|---|--|
| Amount strands (wire) | 7 |
| Diameter of single wires | 24 AWG |
| Conductor crosssection (wire) | 24 AWG |
| Material conductor wire | Stranded copper wire, bare |
| Electrical function wire | Data |
| Material wire insulation (Power) | PE |
| Outer diameter wire insulation (Power) | 1,03 mm |
| Tolerance outer diameter wire insulation (Power) | ±5 % |
| Ingredient freeness wire insulation (Power) | lead-free, CFC-free, halogen-free |
| Amount wires (Power) | 2 |
| Amount strands wire (Power) | 7 |
| Diameter of single wires (Power) | 22 AWG |
| Wire conductor cross section (Power) | 22 AWG |
| Material conductor wire (Power) | copper stranded wire, tinned |
| Nominal voltage AC max. | 30 V |
| Electrical function wire | Data |
| Characteristic impedance | 100 Ω ± 15 % @ 1 MHz |
| Electrical resistance line constant wire | 90 Ω/km @ 20 °C |
| Electrical resistance coating wire (Power) | 55 Ω/km @20 °C |
| AC withstand voltage (wire - wire) | 0,5 kV @ 60 s |
| Electric capacitance | 50000 pF/km |
| Power frequency withstand voltage (wire - jacket) | 0,5 kV @ 60 s |
| AC withstand voltage (wire - shield) | 0,5 kV @ 60 s |
| Isolation resistance | 1000 MΩ × km |
| Min. operating temperature (static) | -20 °C |
| Max. operating temperature (fixed) | 80 °C |
| Operating temperature min. (dynamic) | 0 °C |
| Operating temperature max. (dynamic) | 60 °C |
| Flame resistance | UL 1581 § 1090 UL 1581 § 1100 FT2 IEC 60332-2-2 |
| chemical resistance | Good, application-related testing |
| Gasoline resistance | Good, application-related testing |
| Oil resistance | Good, application-related testing DIN EN 60811-404 |
| No. of bending cycles (C-track) | 0,1 Mio. |
| Traversing distance (C-track) | 10 m @ 25 °C horizontal |
| Travel speed (C-track) | 0,5 m/s @ 25 °C |