

**M12 male 0° / M12 fem. 0° shielded 8p.**

Specification: 6FX8002-2DC34-1CF0

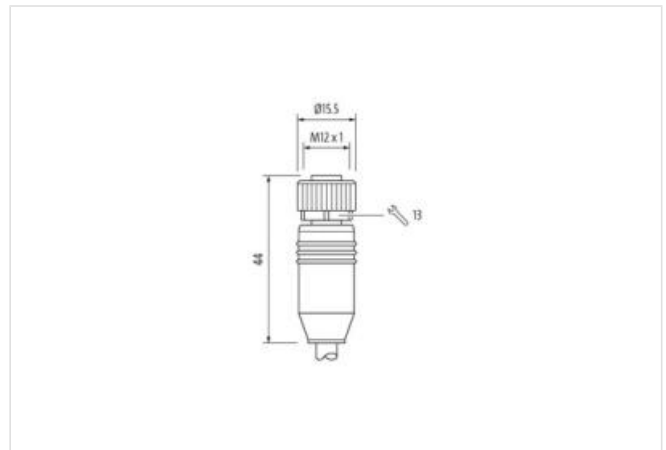
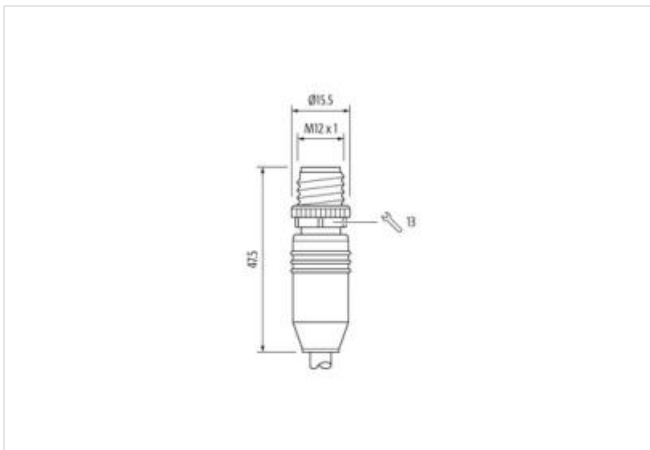
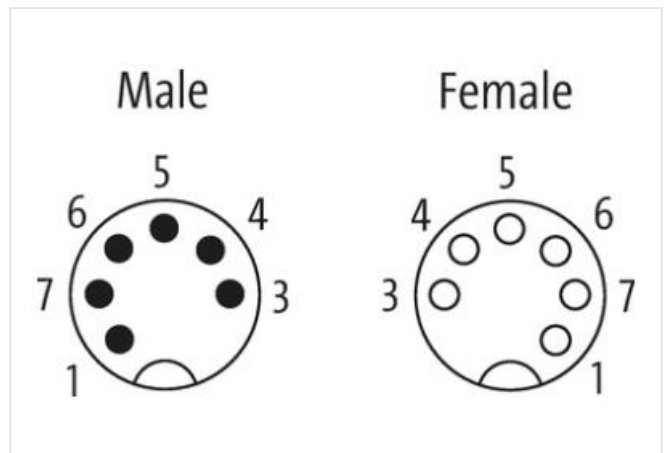
Male straight – female straight

M12 – M12, 8-pole

Further cable lengths on request.

Plastic housings with good resistance against chemicals and oils.

The resistance to aggressive media should be individually tested for your application. Further details on request.

[Link til artikel](#)**Billede**

Produktet kan afvige fra billedet

Cable length 25 m

**Side 1**

Tightening torque 0,6 Nm

Family construction form M12

Thread M12 x 1

Coding A

Width across flats SW13

**Commercial data**

ECLASS-6.0 27061801

|                       |               |
|-----------------------|---------------|
| ECLASS-7.0            | 27061801      |
| ECLASS-8.0            | 27061801      |
| ECLASS-9.0            | 27061801      |
| ECLASS-10.1           | 27060307      |
| ECLASS-11.1           | 27060307      |
| ECLASS-12.0           | 27060307      |
| ETIM-5.0              | EC000830      |
| customs tariff number | 85444290      |
| GTIN                  | 4048879756341 |
| Pakke-enhed           | 1             |

**Electrical data | Supply**

|                                    |      |
|------------------------------------|------|
| Operating voltage AC max.          | 30 V |
| Operating voltage DC max.          | 30 V |
| Current operating per contact max. | 2 A  |

**Installation | Connection**

|                   |        |
|-------------------|--------|
| Tightening torque | 0,6 Nm |
|-------------------|--------|

**Device protection | Electrical**

|                                     |      |
|-------------------------------------|------|
| Degree of protection (EN IEC 60529) | IP67 |
|-------------------------------------|------|

**Mechanical data | Material data**

|                  |               |
|------------------|---------------|
| Coating housing  | nickel plated |
| Material housing | Brass         |

**Mechanical data | Mounting data**

|                 |                                       |
|-----------------|---------------------------------------|
| Mounting method | inserted, screwed, Shaking protection |
|-----------------|---------------------------------------|

**Environmental characteristics | Climatic**

|  |                            |
|--|----------------------------|
| Operating temperature min.             | -25 °C                     |
| Operating temperature max.             | 85 °C                      |
| Additional condition temperature range | depending on cable quality |

**Important installation notes**

|                        |   |
|------------------------|---|
| Note on strain relief  | Protect the connectors by suitable measures from mechanical loads, e.g. by the usage of cable ties.   |
| Note on bending radius | <b>Attention:</b> Observe the permissible bending radii when laying cables, as the IP protection class can be endangered by excessive bending forces. |

**Installation | Cable**

|                                    |  |
|------------------------------------|--|
| wire arrangement                   | green, yellow, pink, blue, red, black        |
| Cable identification               | 880  |
| Jacket Color                       | green  |
| Amount stranding                   | 2  |
| Stranding                          | 2 wires twisted                              |
| Stranding (type 2)                 | 2 wires around Stranding combination twisted |
| Cable shielding (type)             | copper braiding, bare                        |
| Cable shielding (coverage)         | 85 %   |
| wire arrangement                   | green, yellow, pink, blue, red, black        |
| Cable weight                       | 75,9 g/m                                     |
| Material jacket                    | PUR  |
| Outer-diameter (jacket)            | 6,9 mm                                       |
| Tolerance outer diameter (sheath)  | ± 5 %  |
| Material wire insulation           | Polyolefin                                   |
| Amount wires                       | 4  |
| Conductor crosssection (wire)      | 0,2 mm <sup>2</sup>                          |
| Material wire insulation (Data)    | Polyolefin                                   |
| Amount wires (Data)                | 2  |
| Conductor crosssection wire (Data) | 0,38 mm <sup>2</sup>                         |

|                                      |  |
|--------------------------------------|--|
| Min. operating temperature (static)  | -20 °C   |
| Max. operating temperature (fixed)   | 80 °C  |
| Operating temperature min. (dynamic) | -20 °C   |
| Operating temperature max. (dynamic) | 60 °C  |
| Flame resistance                     | UL 1581 § 1090   UL 1581 § 1100 FT2   IEC 60332-2-2  |
| chemical resistance                  | Good, application-related testing                    |
| Gasoline resistance                  | Good, application-related testing                    |
| Oil resistance                       | Good, application-related testing   DIN EN 60811-404 |
| Bending radius (installation)        | x Outer diameter                                     |
| Bending radius (fixed)               | x Outer diameter                                     |
| Bending radius (dynamic)             | 10 x Outer diameter                                  |
| No. of bending cycles (C-track)      | 5 Mio.   |
| Torsion stress                       | ± 30 °/m   |