

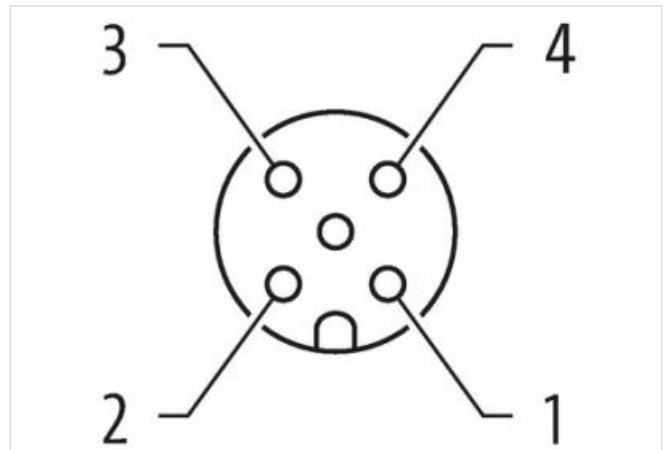
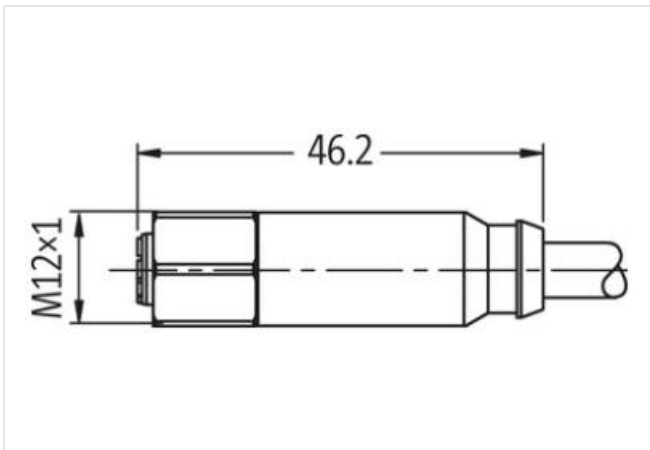
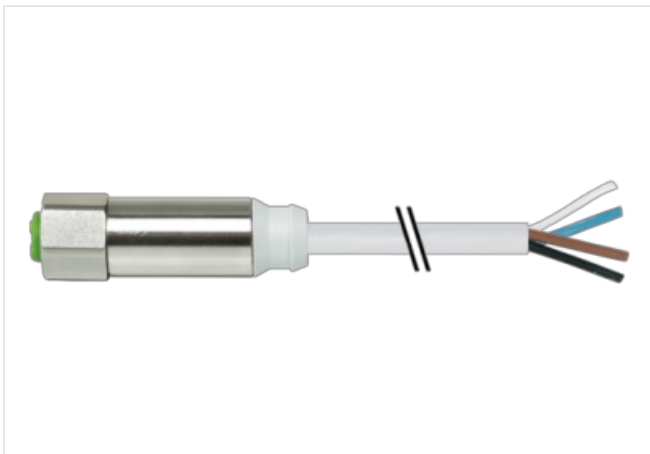
**M12 Steel female 0° A-cod. with cable**

TPE-S 4x0.34 gy 3.5m

F&B-Steel  
Female straight  
M12, 4-pole  
with cable sleeves  
Further cable lengths on request.

[Link til artikel](#)

**Billede**



Produktet kan afvige fra billedet

|                                     |             |
|-------------------------------------|-------------|
| Cable length                        | 3,5 m       |
| <b>Side 1</b>                       |             |
| Tightening torque                   | 0,6 Nm      |
| Family construction form            | M12         |
| Thread                              | M12 x 1     |
| Coding                              | A           |
| Width across flats                  | SW13        |
| Degree of protection (EN IEC 60529) | IP68, IP69K |
| <b>Commercial data</b>              |             |

|                       |               |
|-----------------------|---------------|
| ECLASS-6.0            | 27279218      |
| ECLASS-7.0            | 27279218      |
| ECLASS-8.0            | 27279218      |
| ECLASS-9.0            | 27060311      |
| ECLASS-10.1           | 27060311      |
| ECLASS-11.1           | 27060311      |
| ECLASS-12.0           | 27060311      |
| ETIM-5.0              | EC001855      |
| customs tariff number | 85444290      |
| GTIN                  | 4048879460439 |
| Pakke-enhed           | 1             |

**Electrical data | Supply**

|                                    |      |
|------------------------------------|------|
| Operating voltage AC max.          | 32 V |
| Operating voltage DC max.          | 32 V |
| Current operating per contact max. | 4 A  |

**Device protection | Electrical**

|  |                   |
|--|-------------------|
| Additional condition protection degree | inserted, screwed |
| Pollution Degree                       | 3                 |
| Rated surge voltage                    | 2,5 kV            |
| Material group (IEC 60664-1)           | I                 |

**Mechanical data | Material data**

|                  |                              |
|------------------|------------------------------|
| Locking material | Stainless steel 1.4404 (V4A) |
|------------------|------------------------------|

**Mechanical data | Mounting data**

|                 |                                       |
|-----------------|---------------------------------------|
| Mounting method | inserted, screwed, Shaking protection |
|-----------------|---------------------------------------|

**Environmental characteristics | Climatic**

|  |                            |
|--|----------------------------|
| Operating temperature min.             | -40 °C                     |
| Operating temperature max.             | 85 °C                      |
| Additional condition temperature range | depending on cable quality |

**Important installation notes**

|                        |   |
|------------------------|---|
| Note on strain relief  | Protect the connectors by suitable measures from mechanical loads, e.g. by the usage of cable ties.   |
| Note on bending radius | <b>Attention:</b> Observe the permissible bending radii when laying cables, as the IP protection class can be endangered by excessive bending forces. |

**Installation | Cable**

|  |   |
|--|---|
| wire arrangement                         | brown, white, blue, black                       |
| Cable identification                     | 336   |
| Jacket Color                             | gray  |
| Amount stranding                         | 1   |
| Stranding                                | 4 wires twisted                                 |
| wire arrangement                         | brown, white, blue, black                       |
| Cable weight                             | 43,01 g/m                                       |
| Material jacket                          | TPE-S   |
| Shore hardness jacket                    | 80 ± 5 Shore A                                  |
| Outer-diameter (jacket)                  | 5,2 mm  |
| Tolerance outer diameter (sheath)        | ± 5 %   |
| Material wire insulation                 | TPE-S   |
| Amount wires                             | 4   |
| Outer diameter insulation                | 1,5 mm  |
| Outer diameter tolerance core insulation | ± 5 %   |
| Shore hardness wire insulation           | 90 ± 5 Shore A                                  |
| Ingredient freeness wire insulation      | lead-free, cadmium-free, CFC-free, halogen-free |
| Amount strands (wire)                    | 180   |

|   |  |
|---|--|
| Diameter of single wires                          | 0,05 mm  |
| Conductor crosssection (wire)                     | 0,34 mm <sup>2</sup>                                 |
| Material conductor wire                           | Stranded copper wire, bare                           |
| Conductor type (wire)                             | strand class 6                                       |
| Current load capacity (standard)                  | to DIN VDE 0298-4                                    |
| Current load capacity min. wire                   | 4,8 A  |
| Electrical resistance line constant wire          | 57 Ω/km @ 20 °C                                      |
| AC withstand voltage (wire - wire)                | 2,5 kV @ 60 s  |
| Power frequency withstand voltage (wire - jacket) | 2,5 kV @ 60 s  |
| Min. operating temperature (static)               | -50 °C   |
| Max. operating temperature (fixed)                | 125 °C   |
| Operating temperature min. (dynamic)              | -30 °C   |
| Operating temperature max. (dynamic)              | 105 °C   |
| Flame resistance                                  | UL 1581 § 1100 FT2   UL 1581 § 1090   IEC 60332-2-2  |
| chemical resistance                               | Good, application-related testing                    |
| Gasoline resistance                               | Good, application-related testing                    |
| Oil resistance                                    | DIN EN 60811-404   Good, application-related testing |
| Bending radius (fixed)                            | 10 x Outer diameter                                  |
| Bending radius (dynamic)                          | 15 x Outer diameter                                  |