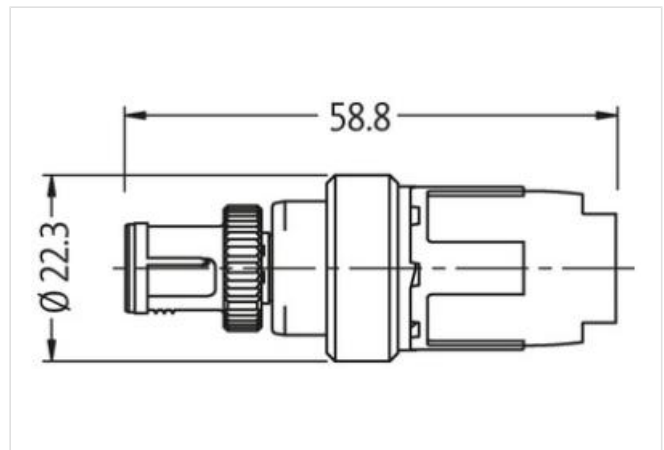
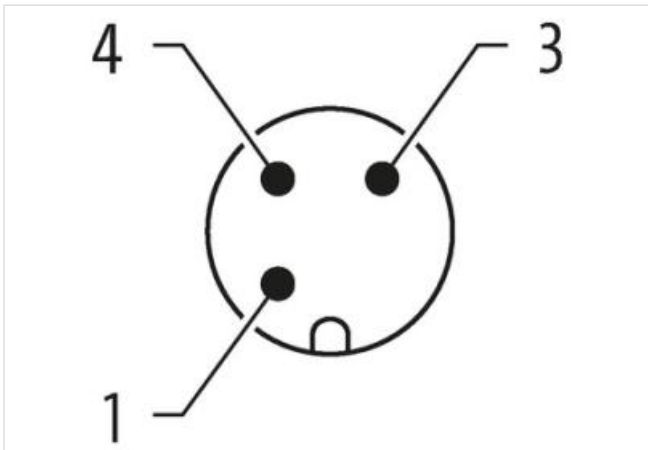
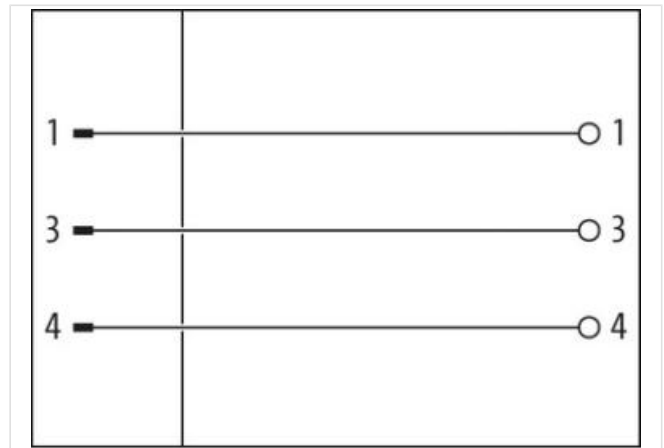


MQ12 male 0° A-cod. IDC3-pol. 0.5...1.0mm², 5,5 - 8,0mm

Male straight

MQ12, 3-pole

IDC terminals

Connection cross section: 0.5...1.0 mm²[Link to Product](#)**Illustration**

Product may differ from Image

Side 1

Family construction form	MQ12
Degree of protection (EN IEC 60529)	IP67

Commercial data

ECLASS-6.0	27279218
ECLASS-6.1	27260702
ECLASS-7.0	27440102
ECLASS-8.0	27440102
ECLASS-9.0	27440116
ECLASS-10.1	27440102
ECLASS-11.1	27440102

ECLASS-12.0	27440116
ETIM-5.0	EC002635
customs tariff number	85366990
GTIN	4048879106658
Packaging unit	1

Electrical data | Supply

Operating voltage AC max.	250 V
Operating voltage DC max.	250 V
Current operating per contact max.	4 A

Installation

Connection cross section min.	0,5 mm ²
Connection cross section max.	1 mm ²
Single wire diameter min.	0,1 mm

Installation | Connection

Wire insulation diameter min.	1,6 mm
Wire insulation diameter max.	2 mm

Device protection | Electrical

Additional condition protection degree	inserted, screwed
--	-------------------

Mechanical data | Mounting data

Clamping range min.	5,5 mm
Clamping range max.	8 mm

Important installation notes

Note on strain relief	Protect the connectors by suitable measures from mechanical loads, e.g. by the usage of cable ties.
Note on bending radius	Attention: Observe the permissible bending radii when laying cables, as the IP protection class can be endangered by excessive bending forces.