

### Valve plug MSC SuperSeal male with cable

PUR 2x0.75 bk 5m

Xtreme - Outdoor

Female straight

max. 24 V DC

2-pole

without components

without cable sleeves

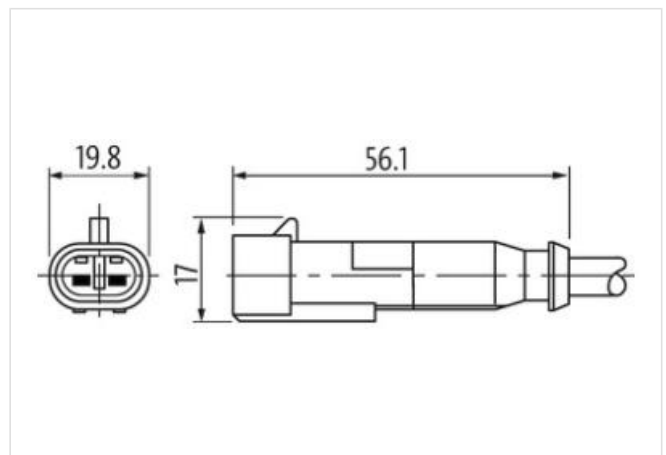
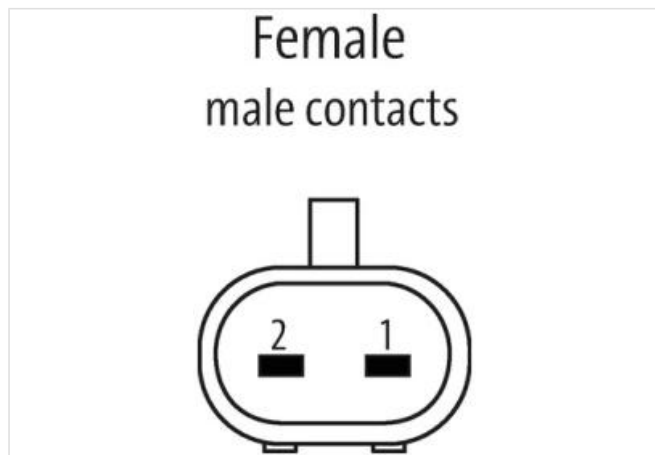
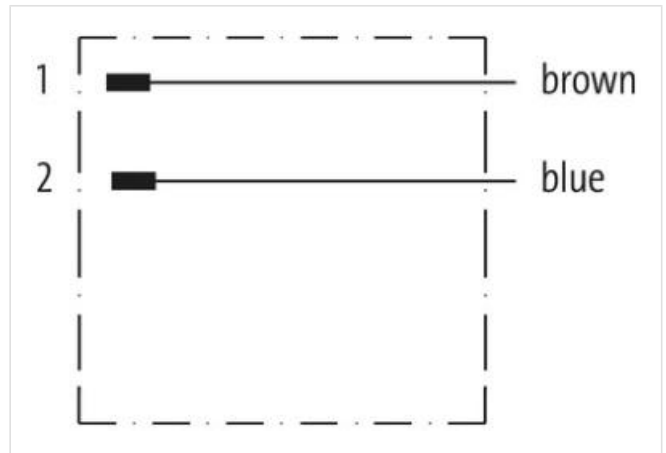
Plastic housings with good resistance against chemicals and oils.

The resistance to aggressive media should be individually tested for your application. Further details on request.

Further cable lengths on request.

#### [Link til artikel](#)

#### Billede



Produktet kan afvige fra billedet

Cable length 5 m

#### Side 1

Mounting method	inserted
Coating contact	tin-plated
Family construction form	SuperSeal

suitable for corrugated tube (internal Ø)	11 mm
Material contact	Copper alloy
No. of poles	2
<b>Commercial data</b>	
ECLASS-6.0	27279218
ECLASS-6.1	27279218
ECLASS-7.0	27279218
ECLASS-8.0	27279218
ECLASS-9.0	27060312
ECLASS-10.1	27060312
ECLASS-11.1	27060312
ECLASS-12.0	27060312
ETIM-5.0	EC000830
customs tariff number	85444290
GTIN	4048879655095
Pakke-enhed	1
<b>Electrical data   Supply</b>	
Operating voltage DC max.	24 V
Current operating per contact max.	8 A
<b>Diagnostics</b>	
Status indication LED	no
<b>Installation   Connection</b>	
Family construction form	AMP SuperSeal 1.5
<b>Device protection   Electrical</b>	
Degree of protection (EN IEC 60529)	IP67
Additional condition protection degree	inserted, locked
Pollution Degree	3
Rated surge voltage	1,5 kV
Additional suppressor	without components
<b>Mechanical data   Material data</b>	
Color housing	black
Material gasket	Silicon
Material housing	Plastic
Material overmolding	PUR
<b>Mechanical data   Mounting data</b>	
Looking techniques	Snap-in connector
<b>Environmental characteristics   Climatic</b>	
Operating temperature min.	-40 °C
Operating temperature max.	125 °C
Additional condition temperature range	depending on cable quality
<b>Important installation notes</b>	
Note on strain relief	Protect the connectors by suitable measures from mechanical loads, e.g. by the usage of cable ties.
Note on bending radius	<b>Attention:</b> Observe the permissible bending radii when laying cables, as the IP protection class can be endangered by excessive bending forces.