

B24 Hood, high profile, IP65

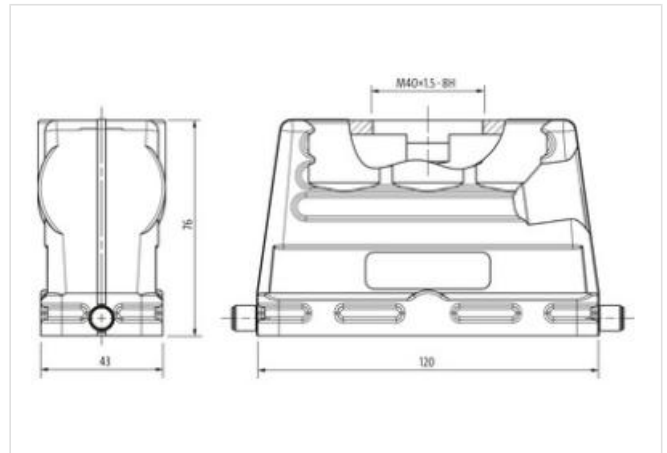
Single locking lever, top entry M40

B24
Hood (high)
Single locking lever
IP65

Technical data will be only guaranteed with Murrelektronik components.

[Link til artikel](#)

Billede



Produktet kan afvige fra billedet

Commercial data

ECLASS-6.0	27143424
ECLASS-6.1	27261203
ECLASS-7.0	27440202
ECLASS-8.0	27440202
ECLASS-9.0	27440202
ECLASS-10.1	27440202
ECLASS-11.1	27440202
ECLASS-12.0	27440202
ETIM-5.0	EC000437
customs tariff number	85389099
GTIN	4048879647144
Pakke-enhed	1

Installation

Cable outlet straight

Installation | Connection

Mounting set M40
Mating cycles min. 500

Device protection | Electrical

Degree of protection (EN IEC 60529) IP65
Additional condition protection degree inserted, locked, with screw connection

Mechanical data

Housing type Hood

Mechanical data | Material data

Coating housing	powder-coated
Coating locking	verzinkt
Material housing	Aluminum die casting
Locking material	Steel

Mechanical data | Mounting data

Size	B24
Height	76 mm
Width	43 mm
Depth	120 mm
Locking techniques	Single locking lever

Environmental characteristics | Climatic

Operating temperature min.	-40 °C
Operating temperature max.	100 °C
Climatic category (EN IEC 60068-1)	40/100/21