

M12 male 0° D-cod. with cable shielded

TPE 2x2x24AWG SF/UTP CAT5e bu UL/CSA. CM 0.3m

USA

Ethernet CAT5

Male straight

M12, 4-pole

D-coded

shielded

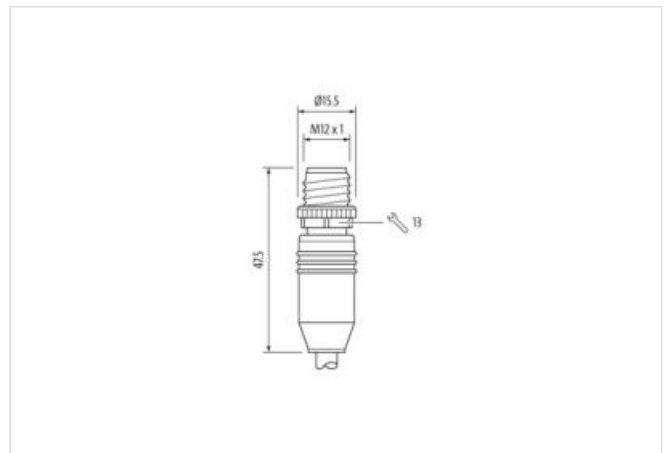
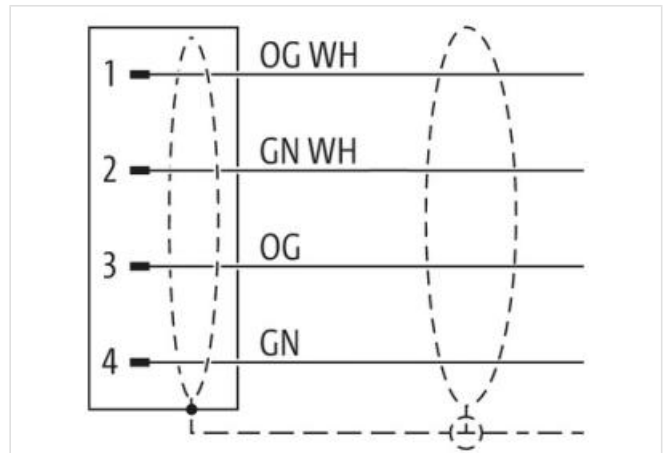
Further cable lengths on request.

Plastic housings with good resistance against chemicals and oils.

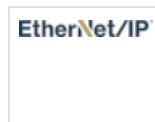
The resistance to aggressive media should be individually tested for your application. Further details on request.

[Link til artikel](#)

Billede



Produktet kan afvige fra billedet



Cable length

0,3 m

Side 1	
Tightening torque	0,6 Nm
Mounting method	inserted, screwed
Family construction form	M12
Coding	D
No. of poles	4
Width across flats	SW13
Side 2	
Stripping length (jacket)	20 mm
Commercial data	
ECLASS-6.0	27279218
ECLASS-7.0	27279218
ECLASS-8.0	27279218
ECLASS-9.0	27060311
ECLASS-10.1	27060307
ECLASS-11.1	27060307
ECLASS-12.0	27060307
ETIM-5.0	EC002599
customs tariff number	85444290
GTIN	4048879601283
Pakke-enhed	1
Electrical data Supply	
Operating voltage DC max.	60 V
Current operating per contact max.	1,5 A
Industrial communication	
Transfer parameters	CAT5, Class D (ISO/IEC 11801:2002), (EN 50173-1)
Data transmission rate max.	100 MBit/s
Industrial communication Ethernet functionality	
duplex	Full duplex
Installation Connection	
Stripping length (jacket)	20 mm
Device protection Electrical	
Degree of protection (EN IEC 60529)	IP65, IP67, IP66K
Additional condition protection degree	inserted, screwed
Pollution Degree	3
Rated surge voltage	1,5 kV
Material group (IEC 60664-1)	I
Mechanical data	
Contour for corrugated hose	without
Mechanical data Material data	
Coating locking	nickel plated
Locking material	Zinc die-casting
Mechanical data Mounting data	
Mounting method	Shaking protection
Environmental characteristics Climatic	
Operating temperature min.	-25 °C
Operating temperature max.	85 °C
Additional condition temperature range	depending on cable quality
Important installation notes	

Note on strain relief Protect the connectors by suitable measures from mechanical loads, e.g. by the usage of cable ties.

Note on bending radius **Attention:** Observe the permissible bending radii when laying cables, as the IP protection class can be endangered by excessive bending forces.

Conformity

Product standard DIN EN 61076-2-101 (M12)

Installation | Cable

wire arrangement (orange-white, orange), (green-white, green)

Cable identification S4U

Function cable Data

Jacket Color teal

Type of Certificate cURus

Amount stranding 2

Stranding 2 wires twisted

Amount stranding (type 2) 1

Stranding (type 2) 2 Stranded joints twisted

Cable shielding (type) copper braid, tinned

Cable shielding (coverage) 75 %

Banding Foil

wire arrangement (orange-white, orange), (green-white, green)

Cable length max. 83 m

Cable weight 55,66 g/m

Material jacket TPE

Freedom from ingredients (jacket) lead-free, CFC-free

Outer-diameter (jacket) 6,6 mm

Tolerance outer diameter (sheath) $\pm 5 \%$

Material wire insulation HDPE

Amount wires 4

Outer diameter insulation 1,22 mm

Outer diameter tolerance core insulation $\pm 5 \%$

Ingredient freeness wire insulation lead-free, CFC-free

Amount strands (wire) 7

Diameter of single wires 24 AWG

Conductor crosssection (wire) 24 AWG

Material conductor wire copper stranded wire, tinned

Nominal voltage AC max. 600 V

Current load capacity (standard) to DIN VDE 0298-4

Current load capacity min. wire 2,4 A

Characteristic impedance 100 Ω @ 100 MHz

Electrical resistance line constant wire 76,4 Ω /km @ 20 °C

AC withstand voltage (wire - wire) 1,5 kV @ 2 s

Power frequency withstand voltage (wire - jacket) 1,5 kV @ 2 s

Loop resistance 280 Ω /km

Min. operating temperature (static) -40 °C

Max. operating temperature (fixed) 80 °C

Operating temperature min. (dynamic) -40 °C

Operating temperature max. (dynamic) 80 °C

Storage temperature min. -40 °C

Storage temperature max. 80 °C

Flame resistance UL 1581 § 1100 FT2 | UL 1581 § 1090 | IEC 60332-2-2

chemical resistance Good, application-related testing

Gasoline resistance Good, application-related testing

Oil resistance DIN EN 60811-404 | Good, application-related testing

Bending radius (dynamic)	4 x Outer diameter
No. of bending cycles (C-track)	35 Mio.
Traversing distance (C-track)	0,6 m
Travel speed (C-track)	1,2 m/s
No. of torsion cycles	3 Mio.
Torsion stress	± 270 °/m
Torsion speed	60 cycles/min