

M12 male 90° D-cod. / RJ45 0° shielded

TPE 2x2x24AWG SF/UTP CAT5e bu UL/CSA. CM 25m

Ethernet CAT5

The resistance to aggressive media should be individually tested for your application. Further details on request.

Male 90° – male straight

M12 – RJ45, 4-pole

D-coded

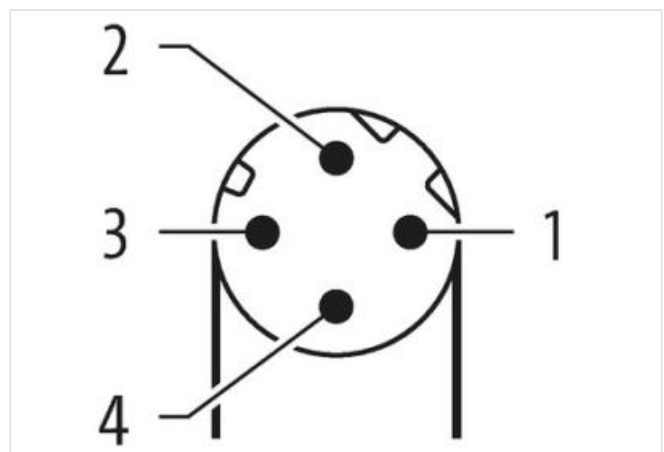
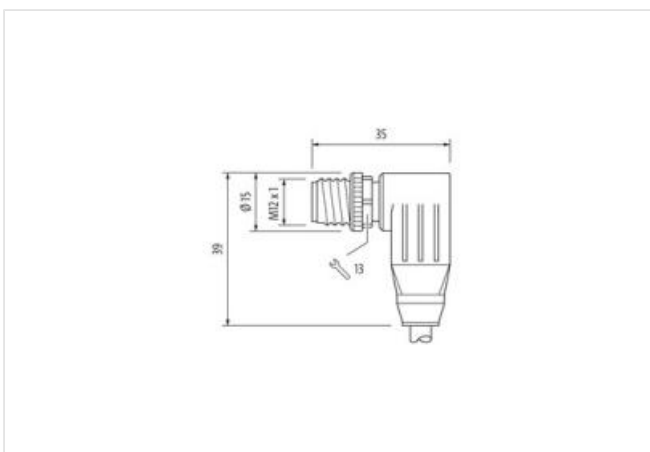
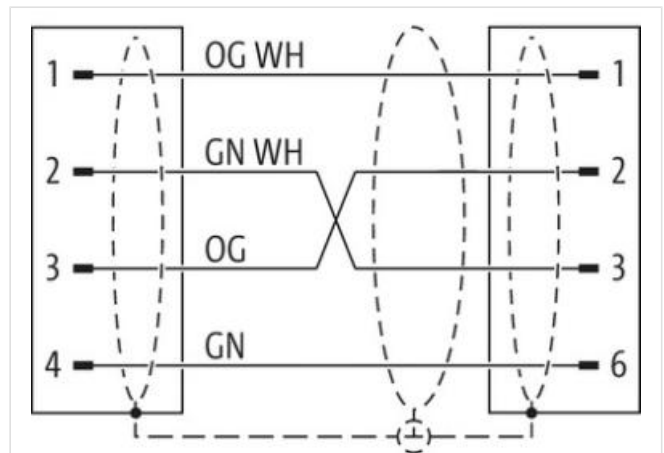
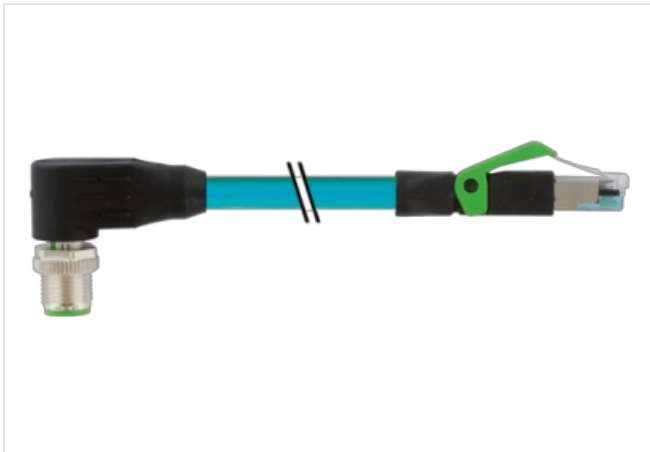
shielded

USA

without cable sleeves

Further cable lengths on request.

Plastic housings with good resistance against chemicals and oils.

[Link to Product](#)**Illustration**



Product may differ from Image



Cable length 25 m

Side 1

| | |
|-------------------------------------|-------------------|
| Tightening torque | 0,6 Nm |
| Mounting method | inserted, screwed |
| Family construction form | M12 |
| Thread | M12 x 1 |
| Cable outlet | angled |
| Coding | D |
| No. of poles | 4 |
| Width across flats | SW13 |
| Degree of protection (EN IEC 60529) | IP67 |

Side 2

| | |
|-------------------------------------|-----------|
| Mounting method | pluggable |
| Family construction form | RJ45 |
| Cable outlet | straight |
| No. of poles | 4 |
| Degree of protection (EN IEC 60529) | IP20 |

Commercial data

| | |
|-----------------------|---------------|
| ECLASS-6.0 | 27061801 |
| ECLASS-6.1 | 27060307 |
| ECLASS-7.0 | 27060307 |
| ECLASS-8.0 | 27060307 |
| ECLASS-9.0 | 27060307 |
| ECLASS-10.1 | 27060307 |
| ECLASS-11.1 | 27060307 |
| ECLASS-12.0 | 27060307 |
| ETIM-5.0 | EC002599 |
| customs tariff number | 85444290 |
| GTIN | 4048879829458 |
| Packaging unit | 1 |

Electrical data | Supply

| | |
|---------------------------|------|
| Operating voltage DC max. | 60 V |
|---------------------------|------|

Current operating per contact max. 1,5 A

Industrial communication

Transfer parameters CAT5, Class D (ISO/IEC 11801:2002), (EN 50173-1)
Data transmission rate max. 100 MBit/s

Industrial communication | Ethernet functionality

duplex Full duplex

Device protection | Electrical

Additional condition protection degree inserted, screwed
Pollution Degree 3
Rated surge voltage 1 kV
Material group (IEC 60664-1) I

Mechanical data

Contour for corrugated hose without

Mechanical data | Material data

Locking screw coating Nickeled
Locking material screw Zinc die-casting

Environmental characteristics | Climatic

Operating temperature min. -25 °C
Operating temperature max. 85 °C
Additional condition temperature range depending on cable quality

Important installation notes

Note on strain relief Protect the connectors by suitable measures from mechanical loads, e.g. by the usage of cable ties.
Note on bending radius **Attention:** Observe the permissible bending radii when laying cables, as the IP protection class can be endangered by excessive bending forces.

Conformity

Product standard DIN EN 61076-2-101 (M12)

Installation | Cable

wire arrangement (orange-white, orange), (green-white, green)
Cable identification S4U
Function cable Data
Jacket Color teal
Type of Certificate cURus
Amount stranding 2
Stranding 2 wires twisted
Amount stranding (type 2) 1
Stranding (type 2) 2 Stranded joints twisted
Cable shielding (type) copper braid, tinned
Cable shielding (coverage) 75 %
Banding Foil
wire arrangement (orange-white, orange), (green-white, green)
Cable length max. 83 m
Cable weight 55,66 g/m
Material jacket TPE
Freedom from ingredients (jacket) lead-free, CFC-free
Outer-diameter (jacket) 6,6 mm
Tolerance outer diameter (sheath) ± 5 %
Material wire insulation HDPE
Amount wires 4
Outer diameter insulation 1,22 mm
Outer diameter tolerance core insulation ± 5 %
Ingredient freeness wire insulation lead-free, CFC-free

| | |
|---|--|
| Amount strands (wire) | 7 |
| Diameter of single wires | 24 AWG |
| Conductor crosssection (wire) | 24 AWG |
| Material conductor wire | copper stranded wire, tinned |
| Nominal voltage AC max. | 600 V |
| Current load capacity (standard) | to DIN VDE 0298-4 |
| Current load capacity min. wire | 2,4 A |
| Characteristic impedance | 100 Ω @ 100 MHz |
| Electrical resistance line constant wire | 76,4 Ω /km @ 20 °C |
| AC withstand voltage (wire - wire) | 1,5 kV @ 2 s |
| Power frequency withstand voltage (wire - jacket) | 1,5 kV @ 2 s |
| Loop resistance | 280 Ω /km |
| Min. operating temperature (static) | -40 °C |
| Max. operating temperature (fixed) | 80 °C |
| Operating temperature min. (dynamic) | -40 °C |
| Operating temperature max. (dynamic) | 80 °C |
| Storage temperature min. | -40 °C |
| Storage temperature max. | 80 °C |
| Flame resistance | UL 1581 § 1100 FT2 UL 1581 § 1090 IEC 60332-2-2 |
| chemical resistance | Good, application-related testing |
| Gasoline resistance | Good, application-related testing |
| Oil resistance | DIN EN 60811-404 Good, application-related testing |
| Bending radius (dynamic) | 4 x Outer diameter |
| No. of bending cycles (C-track) | 35 Mio. |
| Traversing distance (C-track) | 0,6 m |
| Travel speed (C-track) | 1,2 m/s |
| No. of torsion cycles | 3 Mio. |
| Torsion stress | \pm 270 °/m |
| Torsion speed | 60 cycles/min |