

Mini (7/8) 3 pole, Male (Ext.) 90°/Female 90°

PUR 3x1.5 (3x16AWG) bk UL/CSA

Male 90° – female 90°

7/8" – 7/8", 3-pole

Power cable

USA

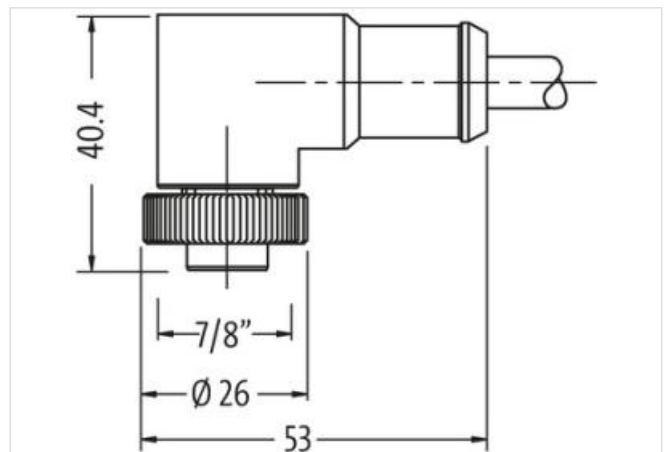
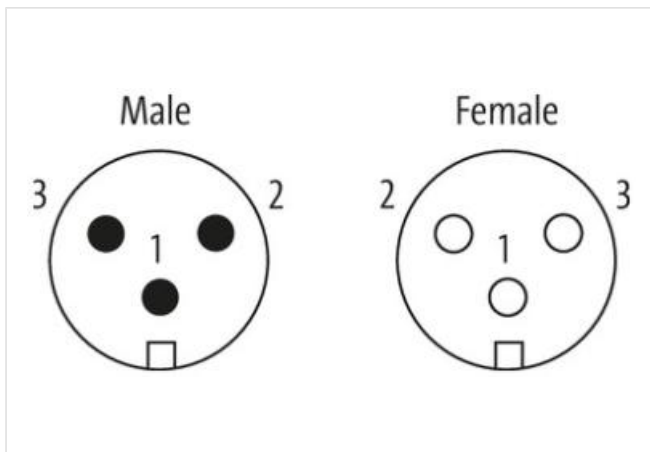
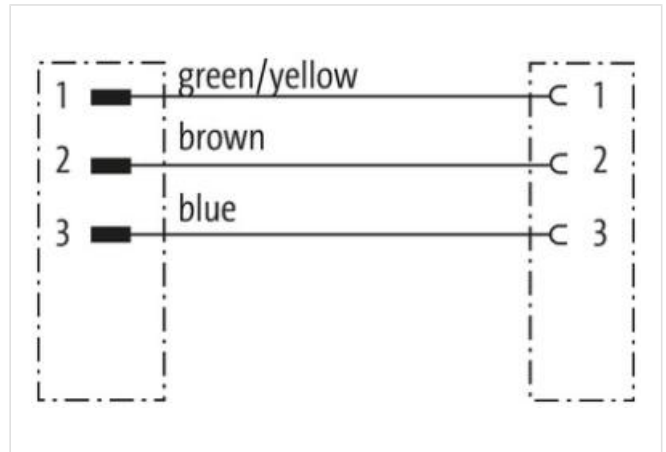
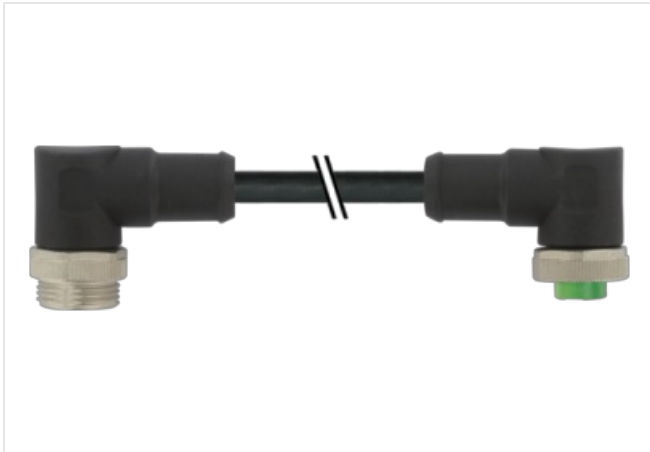
Further cable lengths on request.

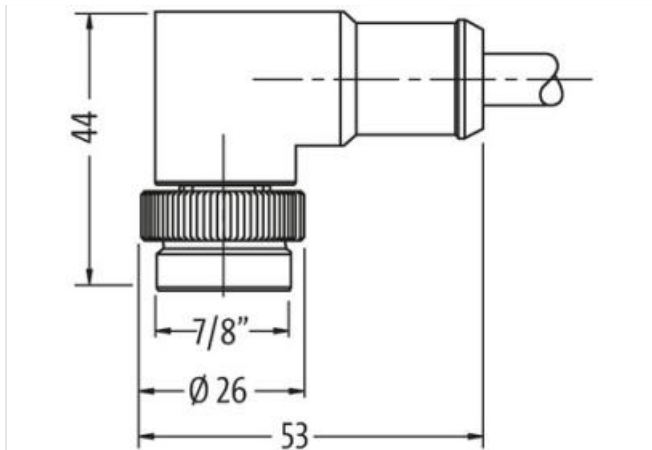
Plastic housings with good resistance against chemicals and oils.

The resistance to aggressive media should be individually tested for your application. Further details on request.

[Link til artikel](#)

Billede





Produktet kan afvige fra billedet



Cable length 1,5 m

Side 1

Tightening torque 1,5 Nm

Family construction form 7/8"

Thread 7/8"

Width across flats SW24

Side 2

Tightening torque 1,5 Nm

Thread 7/8"

Commercial data

ECLASS-6.0 27279218

ECLASS-7.0 27279218

ECLASS-8.0 27279218

ECLASS-9.0 27060311

ECLASS-10.1 27060311

ECLASS-11.1 27060311

ECLASS-12.0 27060327

ETIM-5.0 EC001855

customs tariff number 85444290

GTIN 4048879637053

Pakke-enhed 1

Electrical data | Supply

Operating voltage AC max. 600 V

Operating voltage DC max. 600 V

Current operating per contact max. 12 A

Device protection | Electrical

Degree of protection (EN IEC 60529) IP68

Additional condition protection degree inserted, screwed

Mechanical data | Material data

Coating locking Nickeled

Material housing PUR

Locking material Zinc die-casting

Mechanical data | Mounting data

Mounting method inserted, screwed, Shaking protection

Environmental characteristics | Climatic

Operating temperature min. -25 °C

Operating temperature max. 80 °C

Additional condition temperature range depending on cable quality

Important installation notes

Note on strain relief Protect the connectors by suitable measures from mechanical loads, e.g. by the usage of cable ties.

Note on bending radius **Attention:** Observe the permissible bending radii when laying cables, as the IP protection class can be endangered by excessive bending forces.

Installation | Cable

wire arrangement brown, blue, green-yellow

Cable identification UMB

Jacket Color black

wire arrangement brown, blue, green-yellow

Material jacket PUR

Outer-diameter (jacket) 7,4 mm

Tolerance outer diameter (sheath) ± 5 %

Material wire insulation TPM

Amount wires 3

Conductor crosssection (wire) 1,5 mm²

Min. operating temperature (static) -40 °C

Max. operating temperature (fixed) 80 °C

Operating temperature min. (dynamic) -20 °C

Operating temperature max. (dynamic) 80 °C

Flame resistance IEC 60332-2-2 | UL 1581 § 1090 | UL 1581 § 1100 FT2

chemical resistance Good, application-related testing

Gasoline resistance Good, application-related testing

Oil resistance Good, application-related testing | DIN EN 60811-404

Bending radius (fixed) 7,5 x Outer diameter

Bending radius (dynamic) 10 x Outer diameter

No. of bending cycles (C-track) 5 Mio.