

Mini (7/8) 5 pole, Male (Ext.) 0°/Female 0°

PUR 5x1.5 (5x16AWG) bk UL/CSA

Male straight – female straight

7/8" – 7/8", 5-pole

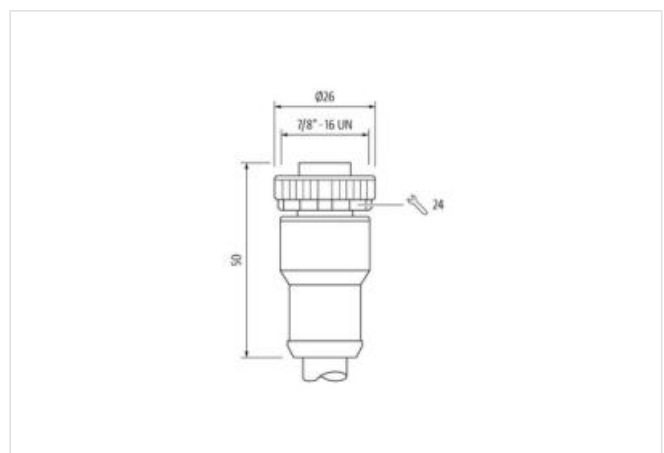
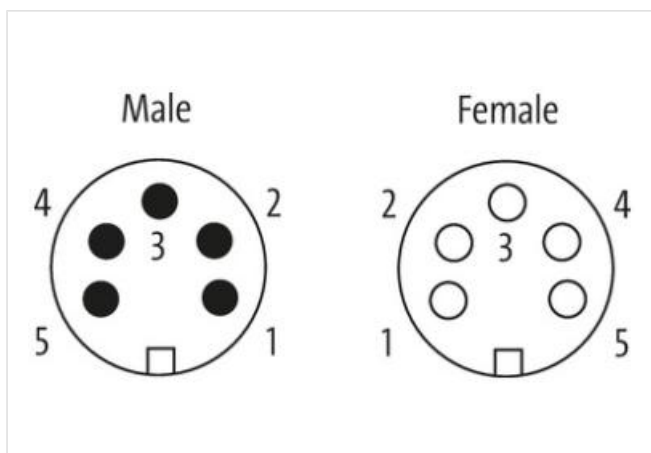
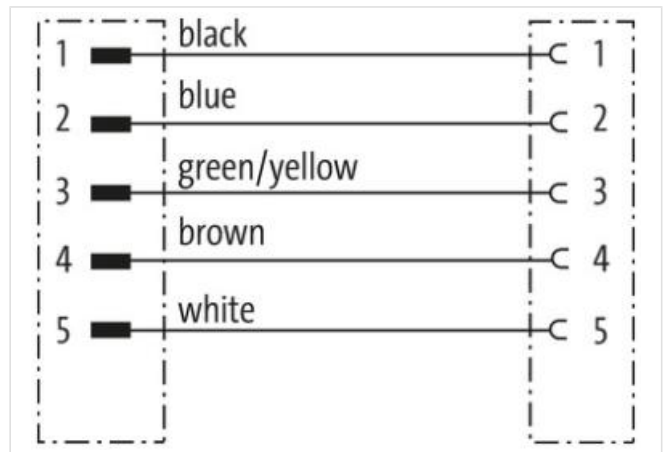
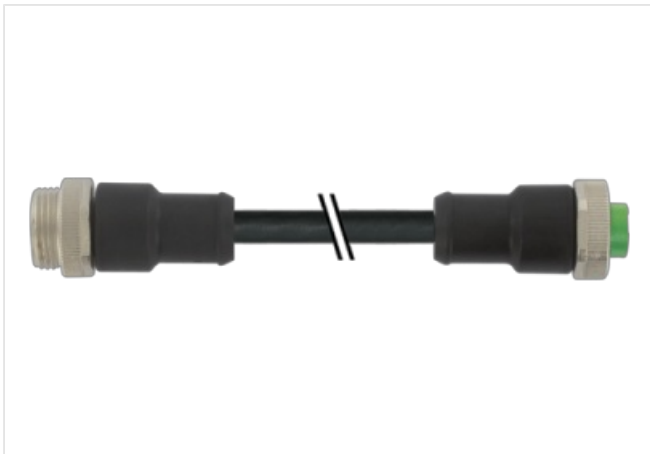
Power cable

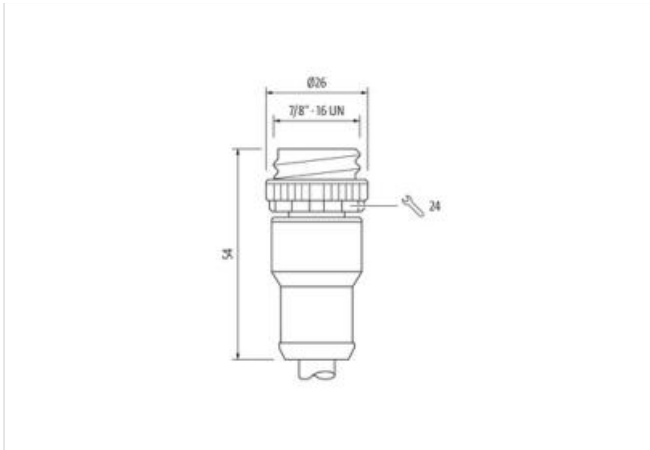
USA

Further cable lengths on request.

Plastic housings with good resistance against chemicals and oils.

The resistance to aggressive media should be individually tested for your application. Further details on request.

[Link to Product](#)**Illustration**



Product may differ from Image



Cable length	7,5 m
--------------	-------

Side 1

Tightening torque	1,5 Nm
Family construction form	7/8"
Thread	7/8"
Width across flats	SW24

Side 2

Tightening torque	1,5 Nm
Thread	7/8"

Commercial data

ECLASS-6.0	27279218
ECLASS-7.0	27279218
ECLASS-8.0	27279218
ECLASS-9.0	27060311
ECLASS-10.1	27060311
ECLASS-11.1	27060311
ECLASS-12.0	27060327
ETIM-5.0	EC001855
customs tariff number	85444290
GTIN	4048879640626
Packaging unit	1

Electrical data | Supply

Operating voltage AC max.	600 V
Operating voltage DC max.	600 V
Current operating per contact max.	9 A

Device protection | Electrical

Degree of protection (EN IEC 60529)	IP68
Additional condition protection degree	inserted, screwed

Mechanical data | Material data

Coating locking	Nickeled
Material housing	PUR

