

**EXACT8, 8XM8, 3 POLE PRE-WIRED CABLE**

10.0m PUR/PVC 8\*0,34+2\*0,75

8-way, 3-pole

PUR/PVC

Further cable lengths on request.

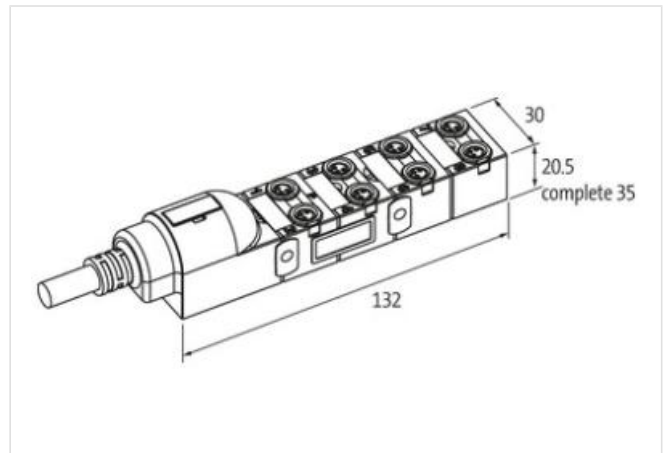
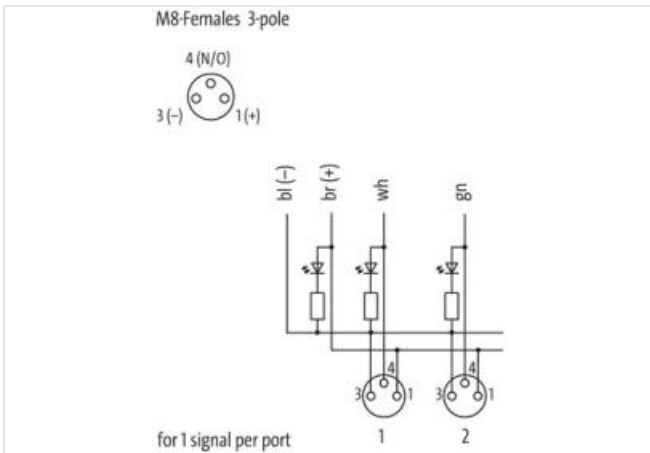
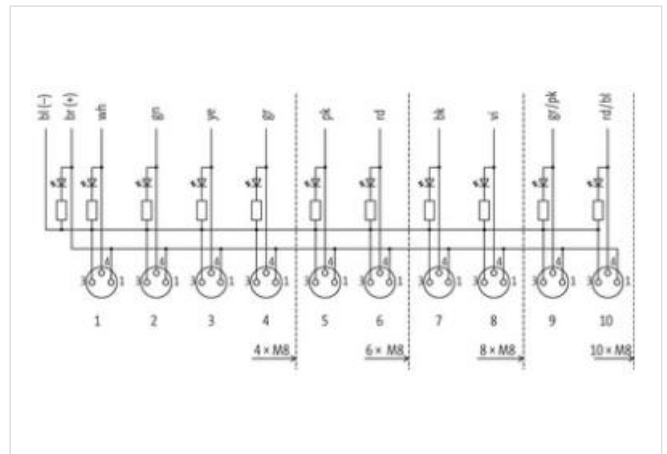
10.0 m

Plastic housings with good resistance against chemicals and oils.

The resistance to aggressive media should be individually tested for your application. Further details on request.

[Link to Product](#)

**Illustration**



Product may differ from Image



**Commercial data**

|            |          |
|------------|----------|
| ECLASS-6.0 | 27143423 |
| ECLASS-6.1 | 27279219 |
| ECLASS-7.0 | 27279219 |
| ECLASS-8.0 | 27279219 |

|   |   |
|---|---|
| ECLASS-9.0                                      | 27440108  |
| ECLASS-10.1                                     | 27440108  |
| ECLASS-11.1                                     | 27440108  |
| ECLASS-12.0                                     | 27440108  |
| ETIM-5.0  | EC002585  |
| customs tariff number                           | 85444290  |
| GTIN  | 4048879054768   |
| Packaging unit                                  | 1   |
| <b>Electrical data   Supply</b>                 |   |
| Operating voltage DC                            | 24 V  |
| Current operating per contact max.              | 2 A   |
| Total current max.                              | 8 A   |
| <b>Industrial communication</b>                 |   |
| Number of signals per port                      | 1   |
| <b>Installation   Connection</b>                |   |
| Mounting set                                    | M8 x 1  |
| <b>Device protection   Electrical</b>           |   |
| Degree of protection (EN IEC 60529)             | IP65, IP67  |
| <b>Device protection   Media</b>                |   |
| Flame resistance                                | flame retardant   |
| <b>Mechanical data   Material data</b>          |   |
| Material housing                                | Plastic   |
| <b>Mechanical data   Mounting data</b>          |   |
| Mounting method                                 | Schraubgewinde  |
| <b>Environmental characteristics   Climatic</b> |   |
| Operating temperature min.                      | -20 °C  |
| Operating temperature max.                      | 80 °C   |
| Additional condition temperature range          | depending on cable quality  |
| <b>Installation   Cable</b>                     |   |
| Cable identification                            | 357   |
| Cable Type                                      | 2   |
| Function cable                                  | Hybrid, Signal, Power   |
| Jacket Color                                    | gray  |
| Type of Certificate                             | cURus   |
| Amount stranding                                | 1   |
| Stranding                                       | 10 wires around Core filler twisted                               |
| Filler  | yes   |
| wire arrangement                                | brown, blue, violet, black, red, pink, gray, yellow, green, white |
| Cable weight                                    | 115,5 g/m   |
| Material jacket                                 | PUR   |
| Shore hardness jacket                           | 87 ± 5 Shore A  |
| Freedom from ingredients (jacket)               | lead-free, cadmium-free, CFC-free, silicone-free                  |
| Outer-diameter (jacket)                         | 8,6 mm  |
| Tolerance outer diameter (sheath)               | ± 5 %   |
| Material inner jacket                           | PVC   |
| Color (inner jacket)                            | gray  |
| Material wire insulation                        | PVC   |
| Amount wires                                    | 8   |
| Outer diameter insulation                       | 1,3 mm  |
| Outer diameter tolerance core insulation        | ± 5 %   |
| Shore hardness wire insulation                  | 43 ± 5 Shore D  |

|   |  |
|---|--|
| Material properties wire insulation               | good machinability                                   |
| Ingredient freeness wire insulation               | lead-free, cadmium-free, CFC-free, silicone-free     |
| Amount strands (wire)                             | 19   |
| Diameter of single wires                          | 0,15 mm  |
| Conductor crosssection (wire)                     | 0,34 mm <sup>2</sup>                                 |
| Material conductor wire                           | Stranded copper wire, bare                           |
| Conductor type (wire)                             | Strand class 5                                       |
| Material wire insulation (Power)                  | PVC  |
| Outer diameter wire insulation (Power)            | 1,8 mm   |
| Tolerance outer diameter wire insulation (Power)  | ±5 %   |
| Shore hardness wire insulation (Power)            | 43±5 Shore D   |
| Material properties wire insulation (Power)       | good machinability                                   |
| Ingredient freeness wire insulation (Power)       | lead-free, cadmium-free, CFC-free, silicone-free     |
| Amount wires (Power)                              | 2  |
| Amount strands wire (Power)                       | 24   |
| Diameter of single wires (Power)                  | 0,2 mm   |
| Wire conductor cross section (Power)              | 0,75 mm <sup>2</sup>                                 |
| Material conductor wire (Power)                   | Stranded copper wire, bare                           |
| Conductor type wire (Power)                       | Strand class 5                                       |
| Max. rated voltage (conductor - conductor)        | 300 V  |
| Max. rated voltage (conductor - ground)           | 300 V  |
| Current load capacity (standard)                  | to DIN VDE 0298-4                                    |
| Current load capacity min. wire                   | 4 A  |
| Current carrying capacity min. wire (Power)       | 7,8 A  |
| Electrical resistance line constant wire          | 57 Ω/km @ 20 °C                                      |
| Electrical resistance coating wire (Power)        | 26 Ω/km @20 °C                                       |
| AC withstand voltage (wire - wire)                | 2 kV @ 60 s  |
| Power frequency withstand voltage (wire - jacket) | 2 kV @ 60 s  |
| Min. operating temperature (static)               | -30 °C   |
| Max. operating temperature (fixed)                | 80 °C  |
| Operating temperature min. (dynamic)              | -5 °C  |
| Operating temperature max. (dynamic)              | 70 °C  |
| Flame resistance                                  | IEC 60332-2-2   UL 1581 § 1090   UL 1581 § 1100 FT2  |
| chemical resistance                               | Good, application-related testing                    |
| Gasoline resistance                               | Good, application-related testing                    |
| Oil resistance                                    | DIN EN 60811-404   Good, application-related testing |
| Bending radius (fixed)                            | 5 x Outer diameter                                   |
| Bending radius (dynamic)                          | 10 x Outer diameter                                  |
| No. of bending cycles (C-track)                   | 2 Mio. @ 25 °C                                       |
| Traversing distance (C-track)                     | 5 m @ 25 °C   horizontal                             |
| Travel speed (C-track)                            | 2 m/s @ 25 °C  |