

### SUPPRESSOR FOR SIEMENS CONTACTOR

Diode combination, 24 VDC, 36 W

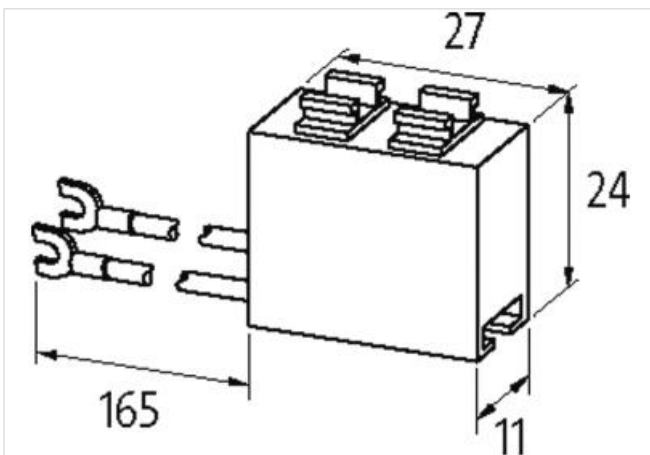
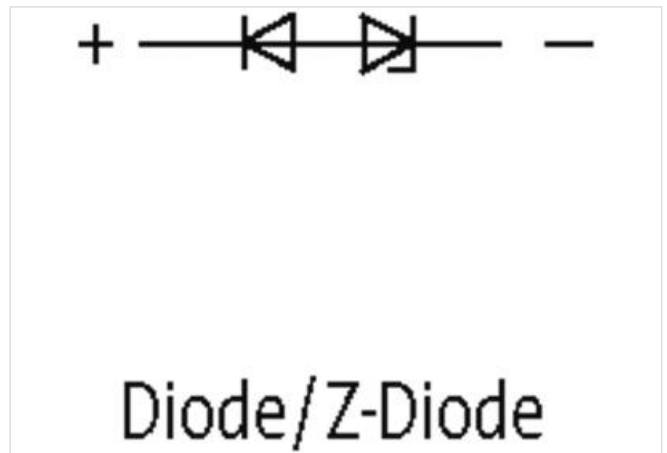
24 V DC

Diode/Z-Diode

For other configurations and voltages, please inquire.

[Link to Product](#)

#### Illustration



Product may differ from Image



#### Classifications

|             |          |
|-------------|----------|
| ECLASS-6.0  | 27371013 |
| ECLASS-6.1  | 27371013 |
| ECLASS-7.0  | 27371013 |
| ECLASS-8.0  | 27371013 |
| ECLASS-9.0  | 27371013 |
| ECLASS-10.1 | 27371013 |

|   |                           |
|---|---------------------------|
| ECLASS-11.1                                     | 27371013                  |
| ECLASS-12.0                                     | 27371013                  |
| ETIM-5.0  | EC002498                  |
| <b>Compatibility   Compatible with</b>          |                           |
| Appropriate contactors                          | universal                 |
| <b>Electrical data</b>                          |                           |
| Damping factor                                  | 1.5x UN                   |
| <b>Electrical data   Input</b>                  |                           |
| Input voltage DC min.                           | 12 V                      |
| Input voltage DC max.                           | 30 V                      |
| <b>Installation   Connection</b>                |                           |
| Connection information                          | self-securing cable forks |
| <b>Device protection   Media</b>                |                           |
| Flame resistance                                | flame retardant           |
| <b>Mechanical data   Material data</b>          |                           |
| Combustibility class housing (UL94)             | V-0                       |
| Material housing                                | Plastic                   |
| <b>Mechanical data   Mounting data</b>          |                           |
| Height  | 11 mm                     |
| Width   | 27 mm                     |
| Depth   | 24 mm                     |
| <b>Environmental characteristics   Climatic</b> |                           |
| Operating temperature min.                      | -20 °C                    |
| Operating temperature max.                      | 70 °C                     |
| <b>Commercial data</b>                          |                           |
| customs tariff number                           | 85363010                  |
| GTIN  | 4048879018012             |
| Packaging unit                                  | 1                         |