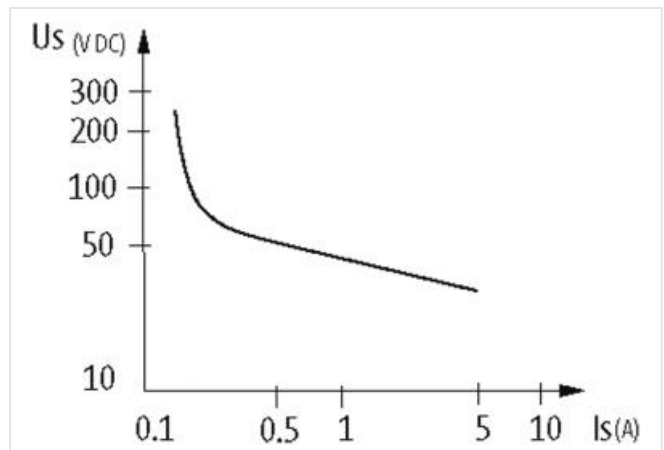
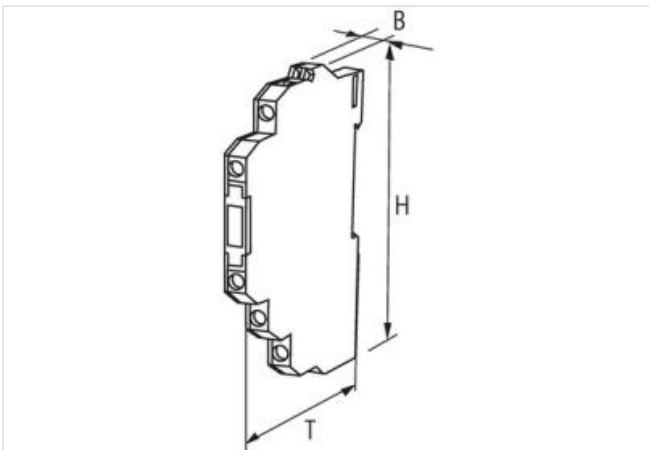
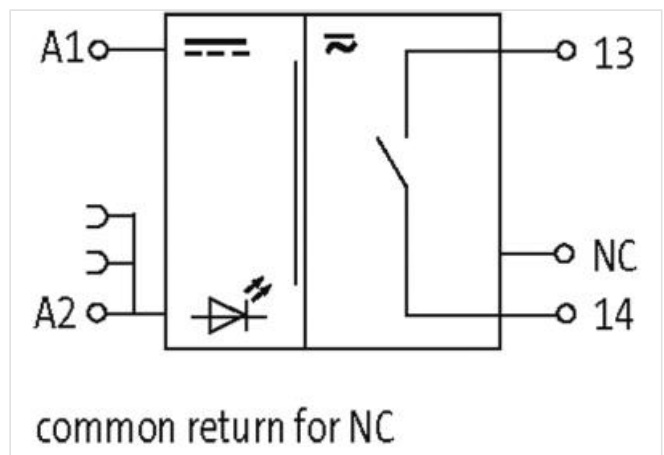
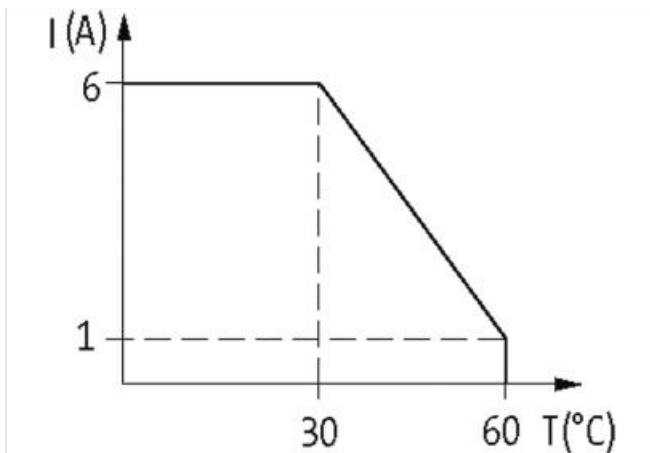


MIRO 6.2 24VDC-1S OUTPUT RELAY

IN: 24 VDC - OUT: 250 VAC/DC / 6 A

1 NO contact
 6 A
 24 V DC
 with solder terminal
 Screw terminals
 safe separation (EN 60947-1)

[Link to Product](#)**Illustration**



Product may differ from Image



Classifications

ECLASS-6.0	27371001
ECLASS-6.1	27371601
ECLASS-7.0	27371601
ECLASS-8.0	27371601
ECLASS-9.0	27371601
ECLASS-10.1	27371601
ECLASS-11.1	27371601
ECLASS-12.0	27371601
ETIM-5.0	EC001437

Electrical data | Input

Input voltage DC	24 V
Input voltage DC min.	19,2 V
Input voltage DC max.	30 V
Input current	14 mA

Electrical data | Output

Utilization category DC-13 (EN IEC 60947-5-1)	1 A @ 24 V, 0,2 A @ 110 V, 0,1 A @ 230 V
Switching frequency max.	10 Hz
Power rating AC max.	1500 VA
Power rating DC max.	120 W
Switching voltage AC max.	250 V
Switching voltage DC max.	250 V
Current switching DC	100 mA
Switching current max.	6 A

Diagnostics

Status indication LED	green
-----------------------	-------

Device protection

Condition lifetime	load-dependent
--------------------	----------------

Device protection | Electrical

Rated surge voltage	4 kV
Electrical lifetime	20000000 Cycles

Device protection | Mechanical

The information in this Product-PDF has been compiled with the utmost care.

Liability for the correctness completeness and topicality of the information is restricted to gross negligence. Version: 2023-09-28

Murrelektronik ApS | Alexander Foss Gade 13, 1. | 9000 Aalborg | Fon +45 9635 0606 | Fax | shop@murrelektronik.dk | shop.murrelektronik.dk

Mechanical endurance 20000000 Cycles

Mechanical data

Drop-out time max. 15 ms
 Response time max. 10 ms
 Bounce time max. 1,5 ms

Mechanical data | Material data

Material contact Ag Sn O2

Mechanical data | Mounting data

Mounting method geschnappt
 Suitable for mounting type (EN 60715), mounting rail
 Height 91 mm
 Width 6,2 mm
 Depth 71 mm

Environmental characteristics | Climatic

Operating temperature min. -20 °C
 Operating temperature max. 55 °C

Connection type 1

Connection Screw terminals SK
 Family construction form terminal
 Gender female
 Color contact carrier green
 No. of poles 1

Connection type 2

Connection Screw terminals SK
 Family construction form terminal
 Gender female
 Color contact carrier green
 No. of poles 1

Connection type 3

Connection Screw terminals SK
 Family construction form terminal
 Gender female
 Color contact carrier green
 No. of poles 1

Connection type 4

Connection Screw terminals SK
 Family construction form terminal
 Gender female
 Color contact carrier green
 No. of poles 1

Connection type 5

Connection Screw terminals SK
 Family construction form terminal
 Gender female
 Color contact carrier green
 No. of poles 1

Commercial data

customs tariff number 85364900
 GTIN 4048879027250
 Packaging unit 1