

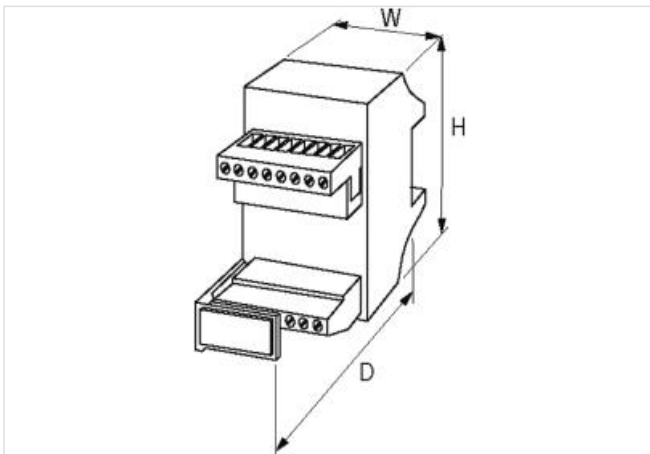
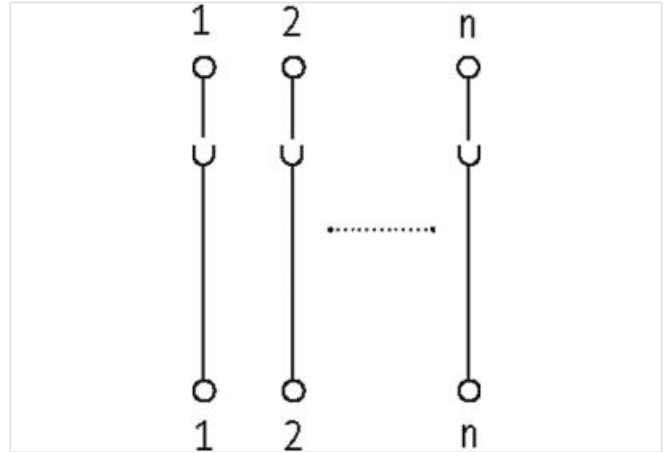
LUGS 24 FOR SIGNAL TRANSFER

250V / 8 A

24-pole
Screw plug-in terminals

[Link to Product](#)

Illustration



Product may differ from Image

Classifications

ECLASS-6.0	27143424
ECLASS-6.1	27260708
ECLASS-7.0	27141152
ECLASS-8.0	27141152
ECLASS-9.0	27141152
ECLASS-10.1	27141152
ECLASS-11.1	27141152
ECLASS-12.0	27141152
ETIM-5.0	EC001283

Electrical data | Supply

Operating voltage AC	250 V
Operating current max.	8 A

Installation	
Connection cross-section solid max.	4 mm ²
Installation Connection	
Connection	Screw terminals SK
Device protection Electrical	
Overvoltage category (EN 60664-1)	I
Mechanical data Mounting data	
Mounting method	geschnappt
Suitable for mounting type	(EN 60715), mounting rail
Height	75 mm
Width	70 mm
Depth	66 mm
Environmental characteristics Climatic	
Operating temperature min.	-20 °C
Operating temperature max.	60 °C
Commercial data	
customs tariff number	85369010
GTIN	4048879026277
Packaging unit	1