

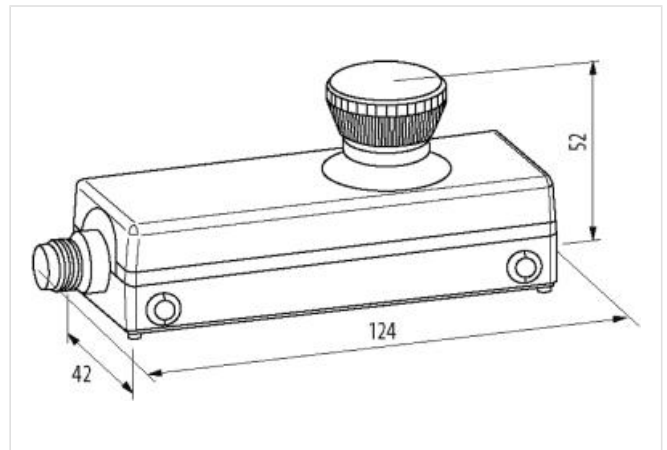
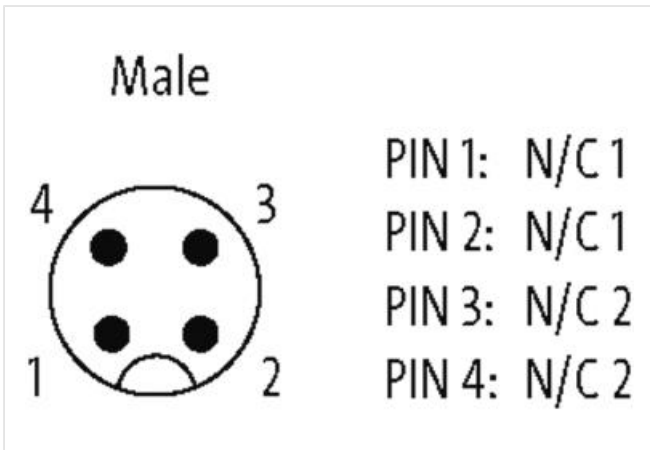
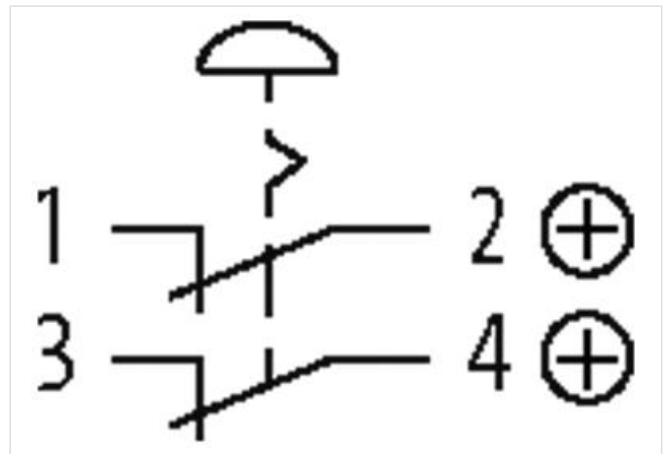
Emergency stop with 2 positive opening

contacts in a 42mm enclosure

E-Stop 42 2NC M12(4)
 with M12 connection
 4-pole
 Emergency-Stop button
 2 NC (positively-opening)
 mounting with clip on the back side

Link to Product

Illustration



Product may differ from Image



Classifications

ECLASS-6.0	27371244
ECLASS-6.1	27371244
ECLASS-7.0	27371244
ECLASS-8.0	27371244

ECLASS-9.0	27371244
ECLASS-10.1	27371244
ECLASS-11.1	27371244
ECLASS-12.0	27371244
ETIM-5.0	EC002034

Electrical data | Output

Utilization category DC-13 (EN IEC 60947-5-1)	2 A @ 24 V
Switching current (AC-15)	15 A
Switching current (DC-13)	2,2 A

Device protection

Condition lifetime	load-dependent, temperature dependent
--------------------	---------------------------------------

Device protection | Electrical

Electrical lifetime	50000 Cycles
Degree of protection (EN IEC 60529)	IP65

Device protection | Mechanical

Mechanical endurance	50000 Cycles
Operating life B10d	250000 Cycles

Mechanical data

Bounce time max.	10 ms
------------------	-------

Mechanical data | Material data

Material contact	AgNi
------------------	------

Mechanical data | Mounting data

Height	52 mm
Width	124 mm
Depth	42 mm

Environmental characteristics | Climatic

Operating temperature min.	-25 °C
Operating temperature max.	70 °C
Storage temperature min.	-25 °C
Storage temperature max.	85 °C

Technical Data | Reliability

Lambda normally closed contact	20 %
--------------------------------	------

Connection type 1

Family construction form	M12
Gender	male
Color contact carrier	black
Coding	A
No. of poles	4

Commercial data

customs tariff number	85365080
GTIN	4048879594097
Packaging unit	1