

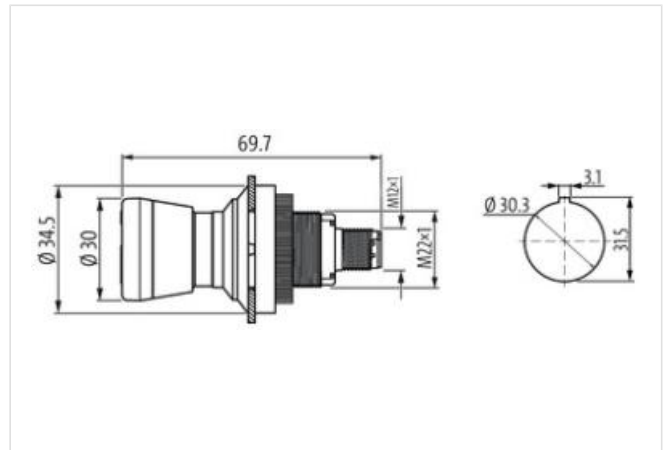
E-Stop 30 2NC M12(5)

Emergency-Stop

E-Stop 30 2NC M12(5)
Emergency-Stop
Mounting hole 30,3 mm
Connection M12 (5-polig)

[Link to Product](#)**Illustration**

Product may differ from Image

**Classifications**

ECLASS-6.1	27371244
ECLASS-7.0	27371244
ECLASS-8.0	27371244
ECLASS-9.0	27371244
ECLASS-10.1	27371244
ECLASS-11.1	27371244
ECLASS-12.0	27371244

Electrical data | Supply

Rated operating voltage AC-15	35 V
Rated operating voltage DC-13	35 V

Electrical data | Input

Short-circuit current	1000 A
-----------------------	--------

Electrical data | Output

Power switching max.	0,25 W
Voltage switching AC min.	1 V
Switching voltage AC max.	35 V
Switching voltage AC max. (UL 60947)	30 V
Voltage switching DC min.	1 V
Switching voltage DC max.	35 V

Switching voltage DC max. (UL 60947)	30 V
Current switching min.	1 mA
Switching current max.	100 mA

Installation | Connection

Family construction form	M12
--------------------------	-----

Installation | Pin assignment

Coding	A
No. of poles	5

Device protection | Electrical

Installation height max. ASL	2000 m
Rated insulation voltage	250 V
Short circuit protective device (SCPD)	fuse 250 V / 0.1 A / 1.5 kA gG quick
Degree of protection front (EN IEC 60529)	IP65
Degree of protection back (EN IEC 60529)	IP65, IP67
Pollution Degree	2
Overvoltage category (EN 60950-1)	II

Device protection | Mechanical

Mechanical endurance	50000 Cycles
Mechanical endurance B10	65000 Cycles
Operating life B10d	84500 Cycles
UL enclosure type rating front side	type 4X

Device protection | Media

Salt-spray resistance (IEC 60068-2-11)	yes
--	-----

Mechanical data

Can be illuminated	no
Actuating function	latching
Color	red
Color collar	yellow
Shape collar	round
Contact type	2 Ö

Mechanical data | Material data

Material housing	Plastic
Material contact	Gold

Mechanical data | Mounting data

Mounting method	Threaded ring
Installation height	33,4 mm
Mounting depth	36,4 mm
Mounting hole	30,3 mm
Height	30 mm
Width	34,5 mm
Depth	69,7 mm
Grid min.	35 mm

Environmental characteristics | Climatic

Operating temperature min.	-40 °C
Operating temperature max.	85 °C
Derating from	40 °C
Storage temperature min.	-40 °C
Storage temperature max.	90 °C
Relative humidity max. (operation)	93 %

Connection type 1

Family construction form	M12
Gender	male
Color contact carrier	black
Coding	A
No. of poles	5

Commercial data

customs tariff number	85365080
GTIN	4065909019610
Packaging unit	1