

M12 male 0° A-cod. screw terminal5-pol., 0,14 - 1,5mm², 2,5 - 8mm

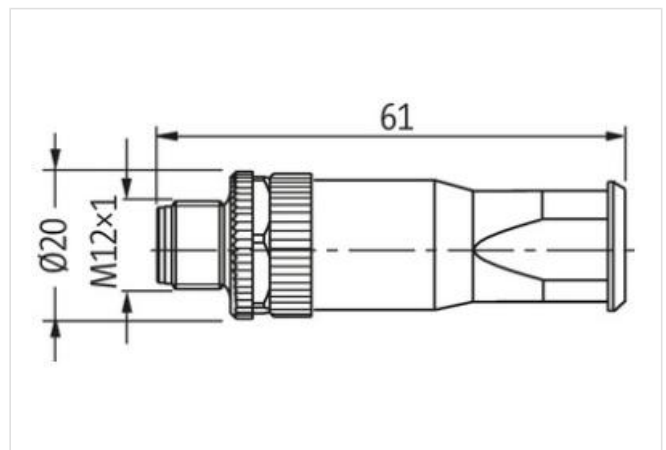
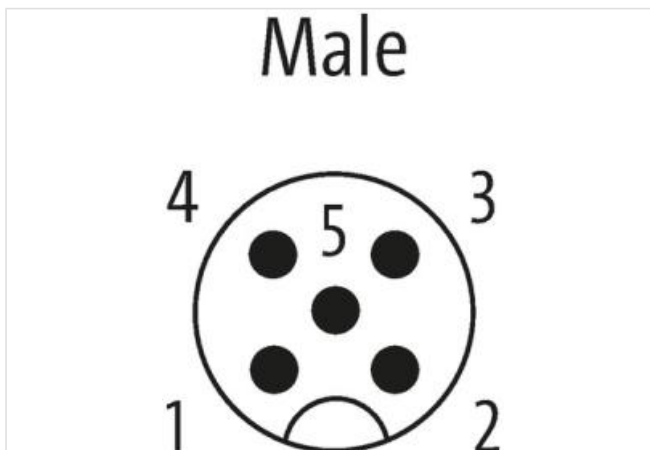
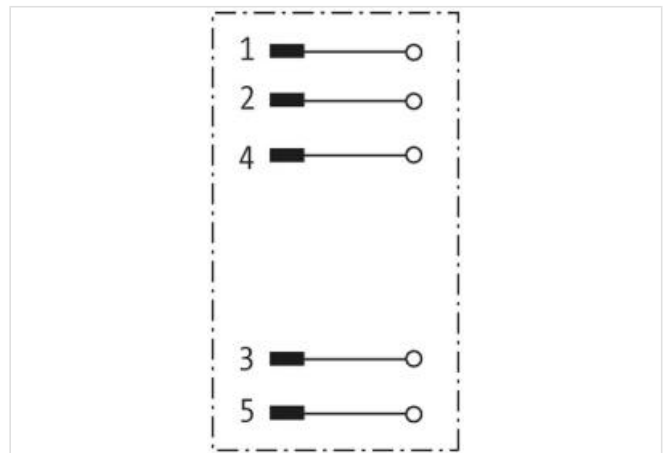
Male straight

M12, 5-pole

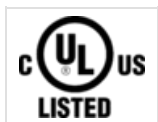
Screw terminals

Plastic housings with good resistance against chemicals and oils.

The resistance to aggressive media should be individually tested for your application. Further details on request.

[Link to Product](#)**Illustration**

Product may differ from Image

**Technical Data**

Operating voltage	max. 60 V AC/DC
Operating current per contact	max. 7.5 A (+40 °C; 1.5 mm ²)
Locking of ports	Screw thread (M12×1 mm) recommended torque 0.6 Nm
Connection cross section	max. 1.5 mm ²
Sealing range (cable Ø)	2.5...8.0 mm

The information in this Product-PDF has been compiled with the utmost care.

Liability for the correctness completeness and topicality of the information is restricted to gross negligence. Version: 2023-06-03

Murrelektronik ApS | Alexander Foss Gade 13, 1. | 9000 Aalborg | Fon +45 9635 0606 | Fax | shop@murrelektronik.dk | shop.murrelektronik.dk

Protection IP67 inserted and tightened (EN 60529)

General data

Temperature range	-30...+85 °C
Dimensions H×W×D	61×20×20 mm