

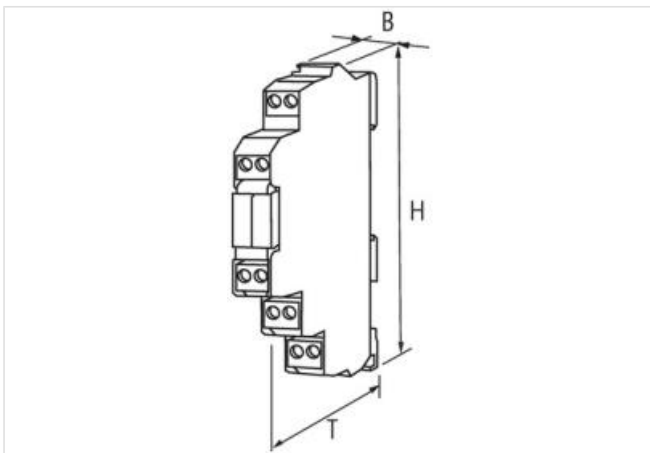
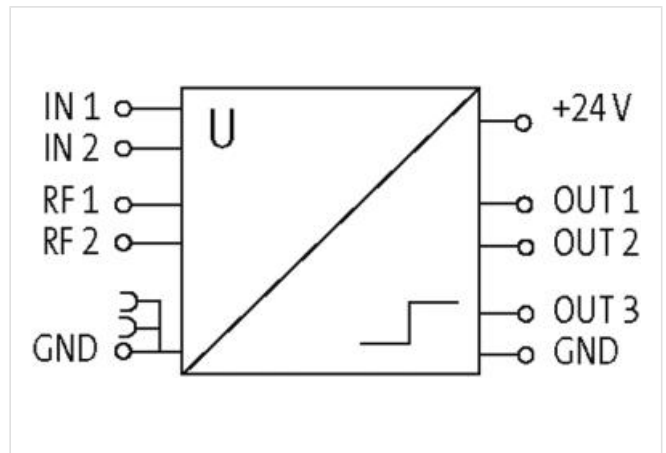
MAK VOLTAGE COMPARATOR MODULE

IN: 2 × 30VDC / OUT: 24V / 0,7A

2× 0...30 V DC (IN 1, IN 2)
Screw terminals
with bridge system

[Link til artikel](#)

Billede



Produktet kan afvige fra billedet



Input

Input voltage	2× 0...30 V DC (IN 1, IN 2)
Input resistor	100 kΩ

Output

Number	3 transistor outputs
Output current	max. 0.7 A (per channel), short-circuit protected (pulse switching)

Technical Data

Operating voltage	20...30 V DC, smoothed
Operating current	30 mA (idle load), max. 0.8 A (full load)
Input hysteresis	max. 0.5% from end value, max. 150 mV
Time constant	approx. 10 ms

General data

Mounting method	DIN-rail mountable (EN 60715)
Temperature range	0...+50 °C
Dimensions H×W×D	90×12.4×70 mm

Description

Functional description

The DC- or AC-voltage comparator serves for evaluating analog voltages, generated by pressure, temperature or other sensors. The analog input values are compared to internal or external reference voltages to over or underflow. Outputs will be switched, de