

MVK MPNIO DI16 galvanic separation

MVK PROFINET compact module, metal

Digital inputs

DI16 (IRT)

Ethernet 10/100 Mbit/s; M12, D-coded

7/8", 5-pole, max. 9 A, protection against reverse polarization

M12, 5-pole, A-coded

FSU (Fast-Start-Up)

Galvanic isolation

Connection cables are in the online shop under "Connection Technology".

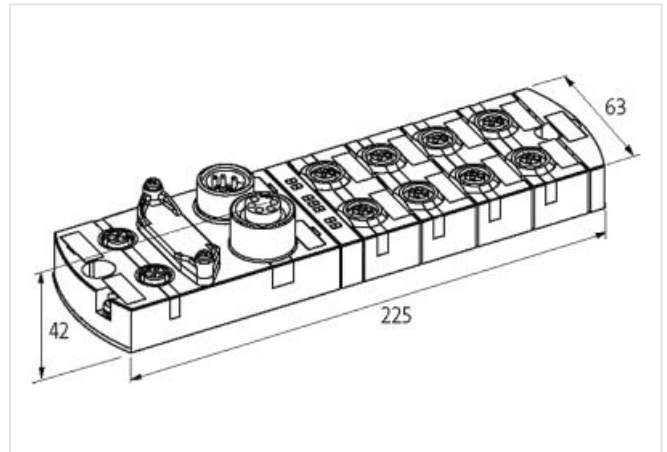
Housing fully potted.

[Link til artikel](#)

Billede



Produktet kan afvige fra billedet



Classifications

ECLASS-6.1	27242604
ECLASS-7.0	27242604
ECLASS-8.0	27242604
ECLASS-9.0	27242604
ECLASS-10.1	27242604
ECLASS-11.1	27242604
ECLASS-12.0	27242604

Electrical data | Supply

Norm operating voltage	EN 61131-2
Operating voltage US DC	24 V
Total current UA max.	9 A
Total current US max.	9 A

Electrical data | Input

Overload resistant	yes
Short-circuit protected	yes
Type input	PNP, for 3-wire sensors or mechanical switches

Sensor current US per input max.	0,2 A
----------------------------------	-------

Industrial communication

Supported protocol	PROFINET
--------------------	----------

Industrial communication | Profinet

Number of active connections (IO controller) max.	2
---	---

FSU (Fast-Start-Up)	yes
---------------------	-----

Fast start up time max.	0,5 s
-------------------------	-------

IRT (network communication)	yes
-----------------------------	-----

MRP client	yes
------------	-----

PROFINET Netload Class	III
------------------------	-----

PROFINET addressing	DCP
---------------------	-----

PROFINET conformance class	C
----------------------------	---

PROFINET specification	V2.3
------------------------	------

Shared device/input	yes
---------------------	-----

Diagnostics

Actuator warning	per channel via LED and BUS
------------------	-----------------------------

Diagnostic	No voltage, Under voltage
------------	---------------------------

Diagnostic via BUS	per module and channel
--------------------	------------------------

Diagnostic via LED	per module and channel
--------------------	------------------------

Short circuit diagnosis	yes
-------------------------	-----

LED display	Ethernet connection/data traffic
-------------	----------------------------------

Cable break	per port
-------------	----------

Overload diagnosis	yes
--------------------	-----

Device protection | Electrical

Degree of protection (EN IEC 60529)	IP67
-------------------------------------	------

Mechanical data | Mounting data

Suitable for mounting type	2-hole screw mounting
----------------------------	-----------------------

Height	39 mm
--------	-------

Width	63 mm
-------	-------

Depth	225 mm
-------	--------

Environmental characteristics | Climatic

Operating temperature min.	-25 °C
----------------------------	--------

Operating temperature max.	55 °C
----------------------------	-------

Storage temperature min.	-25 °C
--------------------------	--------

Storage temperature max.	70 °C
--------------------------	-------

Connection types

Connection type 1	X0-X7
-------------------	-------

Connection type 2	XD1
-------------------	-----

Connection type 3	XD2
-------------------	-----

Connection type 4	XF1, XF2
-------------------	----------

Connection type 1

Family construction form	M12
--------------------------	-----

Gender	female
--------	--------

Color contact carrier	black
-----------------------	-------

Coding	A
--------	---

No. of poles	5
--------------	---

Connection type 2

Family construction form	7/8"
--------------------------	------

Gender	male
--------	------

Color contact carrier	black
-----------------------	-------

No. of poles	5
--------------	---

Connection type 3

Family construction form	7/8"
--------------------------	------

Gender	female
--------	--------

Color contact carrier	black
-----------------------	-------

No. of poles	5
--------------	---

Connection type 4

Mounting method	inserted, screwed
-----------------	-------------------

Tightening torque	0,6 Nm
-------------------	--------

Family construction form	M12
--------------------------	-----

Gender	female
--------	--------

Color contact carrier	black
-----------------------	-------

Coding	D
--------	---

No. of poles	4
--------------	---

Commercial data

customs tariff number	85389099
-----------------------	----------

GTIN	4048879798976
------	---------------

Pakke-enhed	1
-------------	---