

**MASI67 INSTALLATION TECHNOLOGY**

Converter 2x profile cable to M12 male

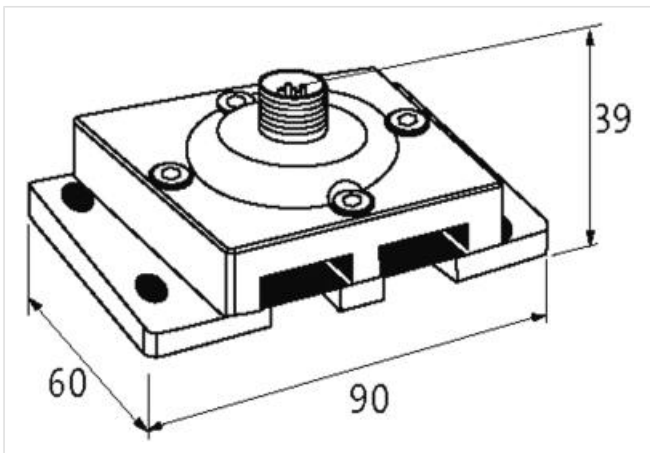
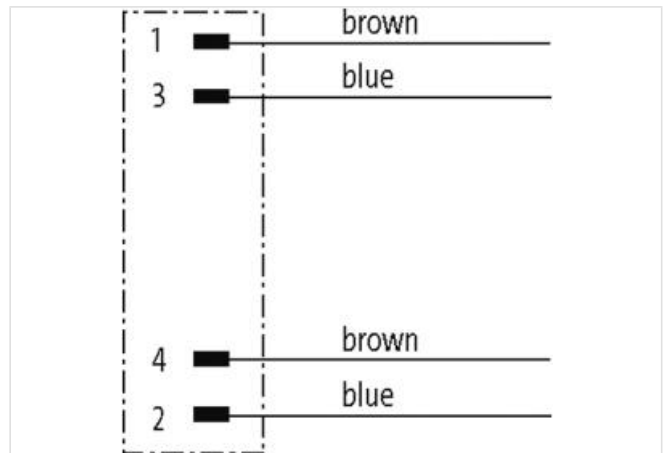
MASI67 converter

2x profile cable to M12 (male)

Connection cables are in the online shop under "Connection Technology".

[Link til artikel](#)

**Billede**



Produktet kan afvige fra billedet



**Classifications**

ECLASS-6.0	27400209
ECLASS-6.1	27279219
ECLASS-7.0	27279219
ECLASS-8.0	27279219
ECLASS-9.0	27440108
ECLASS-10.1	27440111

ECLASS-11.1	27440111
ECLASS-12.0	27440111
ETIM-5.0	EC001583
<b>Electrical data   Supply</b>	
Operating voltage DC max.	36 V
Total current max.	4 A
<b>Device protection   Electrical</b>	
Insulation strength ASI/Power	200 V
Degree of protection (EN IEC 60529)	IP67
<b>Mechanical data   Mounting data</b>	
Mounting method	screwed, geschnappt
Suitable for mounting type	(EN 60715), mounting rail
Height	90 mm
Width	74 mm
Depth	39 mm
<b>Environmental characteristics   Climatic</b>	
Operating temperature min.	-20 °C
Operating temperature max.	60 °C
Storage temperature min.	-40 °C
Storage temperature max.	80 °C
<b>Conformities, approvals, certificates</b>	
Product standard	EN 60664-1
<b>Connection types</b>	
Connection type 1	Bus In
<b>Connection type 1</b>	
Family construction form	M12
Gender	male
Color contact carrier	black
Coding	A
No. of poles	5
<b>Commercial data</b>	
customs tariff number	85369010
GTIN	4048879052139
Pakke-enhed	1