

MVK MPNIO DI16 M12L 4P galvanic separation

MVK ProfiNet, metal

Digital inputs

DI16 (IRT)

Ethernet 10/100 Mbit/s; M12, D-coded

M12 power, 4-pin, L-coded, 2× max. 12 A

M12, 5-pole, A-coded

FSU (Fast-Start-Up)

Galvanic isolation

Connection cables are in the online shop under "Connection Technology".

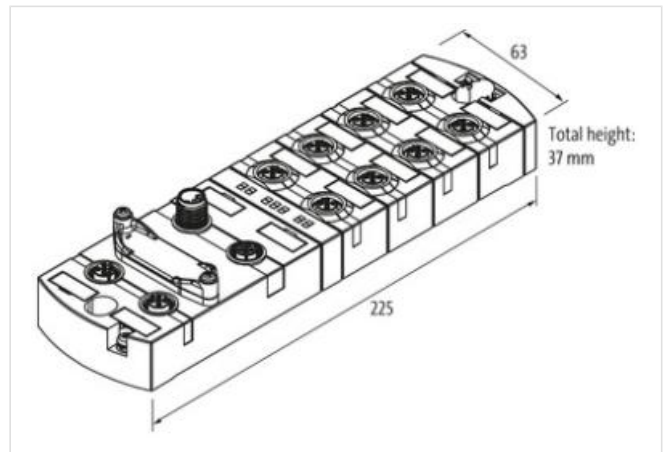
Housing fully potted.

[Link til artikel](#)

Billede



Produktet kan afvige fra billedet



Classifications

ECLASS-6.1	27242604
ECLASS-7.0	27242604
ECLASS-8.0	27242604
ECLASS-9.0	27242604
ECLASS-10.1	27242604
ECLASS-11.1	27242604
ECLASS-12.0	27242604

Electrical data | Supply

Norm operating voltage	EN 61131-2
Operating voltage US DC	24 V
Total current UA max.	12 A
Total current US max.	12 A

Electrical data | Input

Overload resistant	yes
Short-circuit protected	yes
Type input	PNP, for 3-wire sensors or mechanical switches

Sensor current US per input max.	0,2 A
----------------------------------	-------

Industrial communication

Supported protocol	PROFINET
--------------------	----------

Industrial communication | Profinet

Number of active connections (IO controller) max.	2
---	---

FSU (Fast-Start-Up)	yes
---------------------	-----

Fast start up time max.	0,5 s
-------------------------	-------

IRT (network communication)	yes
-----------------------------	-----

MRP client	yes
------------	-----

PROFINET Netload Class	III
------------------------	-----

PROFINET addressing	DCP
---------------------	-----

PROFINET conformance class	C
----------------------------	---

PROFINET specification	V2.3
------------------------	------

Shared device/input	yes
---------------------	-----

Diagnostics

Actuator warning	per channel via LED and BUS
------------------	-----------------------------

Diagnostic	No voltage, Under voltage
------------	---------------------------

Diagnostic via BUS	per module and channel
--------------------	------------------------

Diagnostic via LED	per module and channel
--------------------	------------------------

Short circuit diagnosis	yes
-------------------------	-----

LED display	Ethernet connection/data traffic
-------------	----------------------------------

Cable break	per port
-------------	----------

Overload diagnosis	yes
--------------------	-----

Device protection | Electrical

Degree of protection (EN IEC 60529)	IP67
-------------------------------------	------

Mechanical data | Mounting data

Suitable for mounting type	2-hole screw mounting
----------------------------	-----------------------

Height	42 mm
--------	-------

Width	63 mm
-------	-------

Depth	225 mm
-------	--------

Environmental characteristics | Climatic

Operating temperature min.	-25 °C
----------------------------	--------

Operating temperature max.	55 °C
----------------------------	-------

Storage temperature min.	-25 °C
--------------------------	--------

Storage temperature max.	70 °C
--------------------------	-------

Connection types

Connection type 1	X4-X7
-------------------	-------

Connection type 2	XD1
-------------------	-----

Connection type 3	XD2
-------------------	-----

Connection type 4	XF2
-------------------	-----

Connection type 1

Family construction form	M12
--------------------------	-----

Gender	female
--------	--------

Color contact carrier	black
-----------------------	-------

Coding	A
--------	---

No. of poles	5
--------------	---

Connection type 2

Family construction form	M12
--------------------------	-----

Gender	male
--------	------

Color contact carrier	black
-----------------------	-------

Coding	L
No. of poles	5
Connection type 3	
Family construction form	M12
Gender	female
Color contact carrier	black
Coding	L
No. of poles	4
Connection type 4	
Mounting method	inserted, screwed
Tightening torque	0,6 Nm
Family construction form	M12
Gender	female
Color contact carrier	black
Coding	D
No. of poles	4
Commercial data	
customs tariff number	85389099
GTIN	4048879852210
Pakke-enhed	1