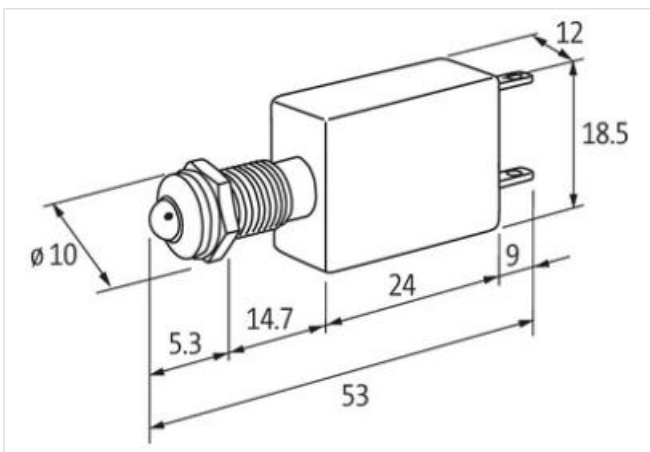
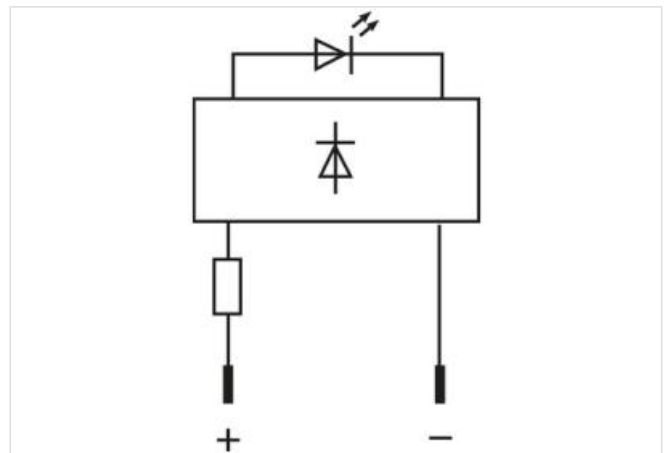


**LED-INDICATOR BLUE**

LED 5mm - 24V AC/DC - 15mA - IP40

(blue)  
24 V AC/DC  
Protection IP40

[Link til artikel](#)**Billede**

Produktet kan afvige fra billedet

**Classifications**

ECLASS-6.0	27261590
ECLASS-6.1	27261501
ECLASS-7.0	27261501
ECLASS-8.0	27261501
ECLASS-9.0	27261501
ECLASS-10.1	27261501
ECLASS-11.1	27261501
ECLASS-12.0	27261501
ETIM-5.0	EC000272

**Electrical data | Supply**

Operating voltage AC	24 V
----------------------	------

Operating voltage AC min.	20,4 V
Operating voltage AC max.	26,4 V
Operating voltage DC	24 V
Operating voltage DC min.	20,4 V
Operating voltage DC max.	26,4 V
Current consumption min.	13 mA
Current consumption max.	17 mA

**Installation | Connection**

Connection information	Faston 2.8x0.8 mm
------------------------	-------------------

**Device protection | Electrical**

Degree of protection (EN IEC 60529)	IP40
-------------------------------------	------

**Mechanical data**

Diameter LED	5 mm
--------------	------

**Mechanical data | Material data**

Color housing	gray
Material housing	PVC

**Mechanical data | Mounting data**

Diameter front panel drilling	8 mm
Height	18,5 mm
Width	12 mm
Depth	53 mm

**Environmental characteristics | Climatic**

Operating temperature min.	-40 °C
Operating temperature max.	70 °C

**Commercial data**

customs tariff number	85318070
GTIN	4048879040969
Pakke-enhed	10