

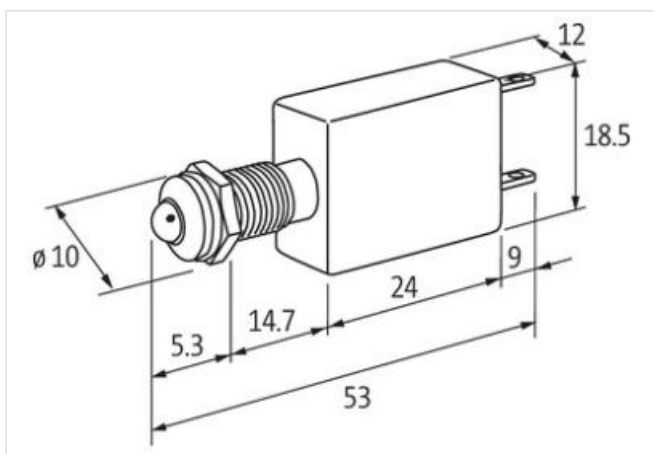
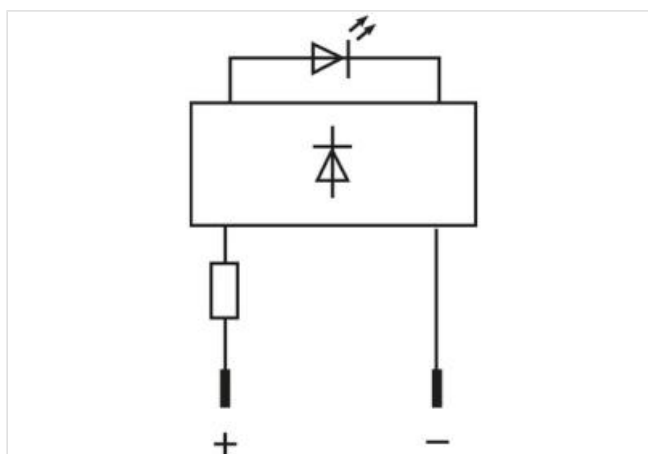
LED-display 110V AC/DC white

Product discontinued, no alternative

(white)
110 V AC/DC
Protection IP40

[Link til artikel](#)

Billede



Produktet kan afvige fra billedet

Technical Data

Operating voltage	110 V AC/DC (95...121 V AC/DC)
Current consumption	5 ±0.5 mA
Protection (IEC 60529/EN 60529)	IP40

General data

Temperature range	-40...+70 °C
Front panel hole diameter Ø	8 mm
LED Ø	5 mm
Housing	Adapter - PVC, gray
Connection	Faston 2.8×0.8 mm
Dimensions H×W×D	18.5×12×53 mm